



KF 1215-90

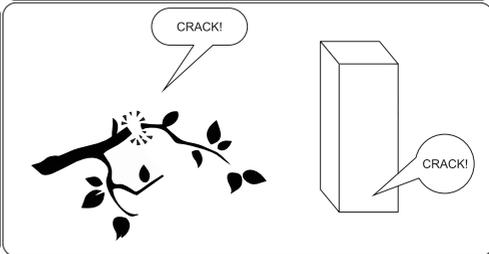
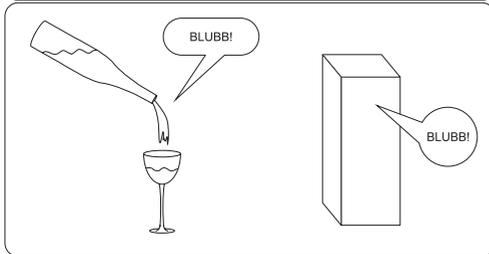
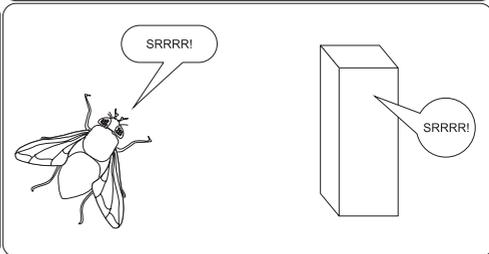
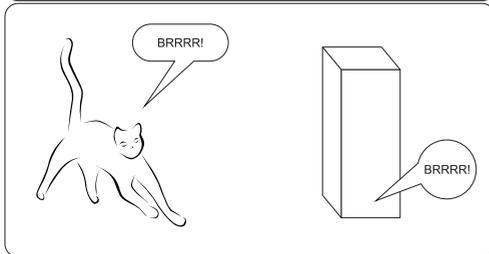
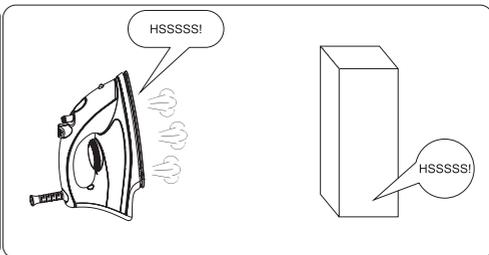
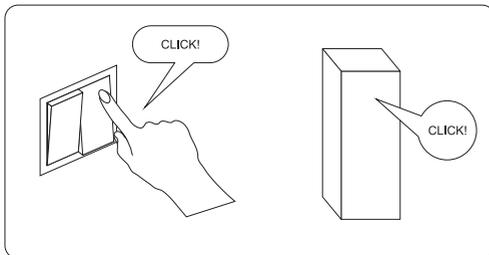
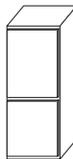
EN	INSTRUCTION MANUAL	10
DA	BRUGERVEJLEDNING	22
SV	ANVÄNDARMANUAL	34
NO	BRUKSANVISNING	46
FI	KÄYTTÖOPAS	58

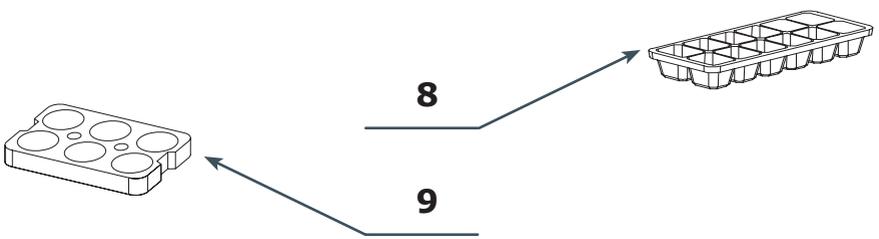
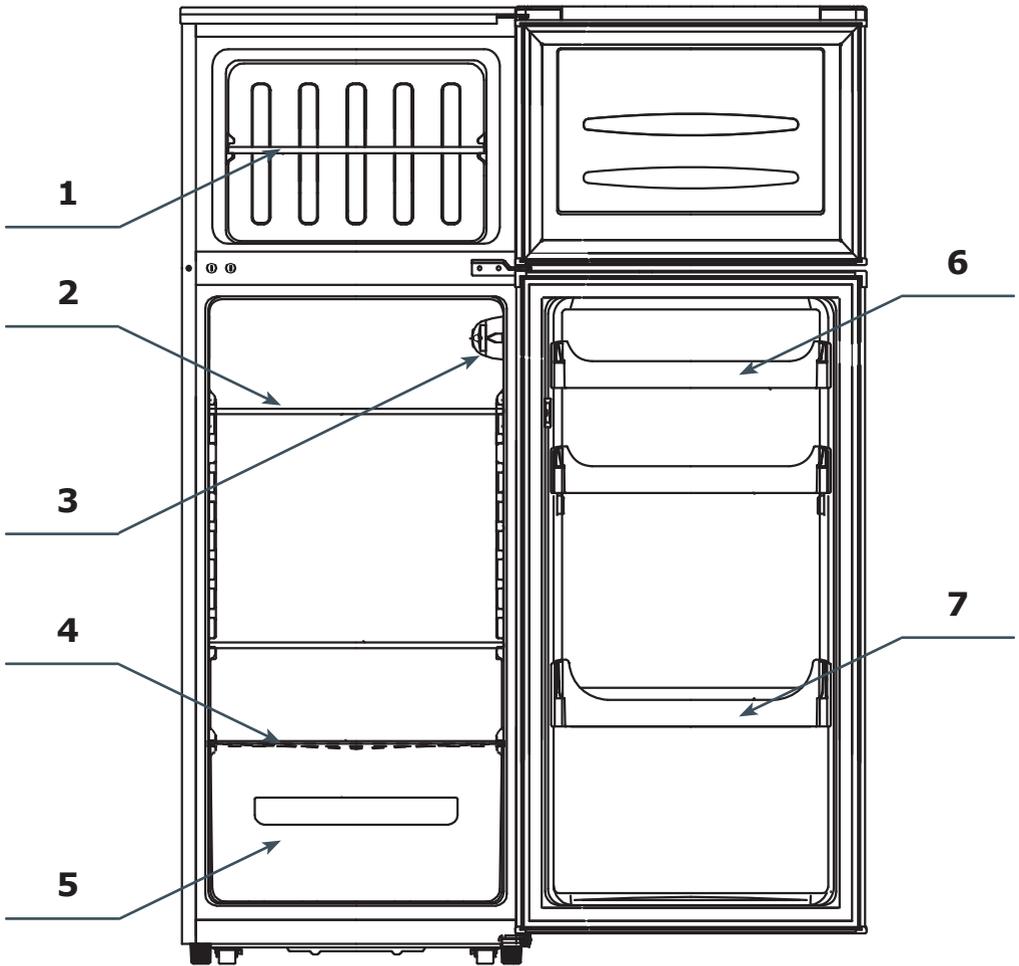
EN	
GUIDELINES CONCERNING THE SAFETY OF USE	11
INSTALLATION AND OPERATING CONDITIONS OF THE APPLIANCE	14
OPERATION AND FUNCTIONS	15
USING THE REFRIGERATOR EFFICIENTLY	17
DEFROSTING, CLEANING AND MAINTENANCE	18
TROUBLE-SHOOTING	19
ENVIRONMENTAL PROTECTION	20
CLIMATE RANGE	20
WARRANTY AND AFTER-SALE SERVICES	21
DA	
VEJLEDNING I SIKKER BRUG	23
INSTALLATIONS- OG BETJENINGSVEJLEDNING	26
BETJENING OG FUNKTIONER	27
EFFEKTIV BRUG AF KØLESKABET	29
AFRIMNING, RENGØRING OG VEDLIGEHOLDELSE	30
FEJLFINDING	31
MILJØBESKYTTELSE	32
KLIMAINTERVAL	32
GARANTI OG EFTERSALGSSERVICE	33
SV	
SÄKERHETSANVISNINGAR	35
INSTALLATION OCH FÖRUTSÄTTNINGAR FÖR ANVÄNDNING	38
ANVÄNDNING OCH FUNKTIONER	39
ANVÄNDA KYLSKÅPET EFFEKTIVT	41
AVFRÖSTNING, RENGÖRING OCH SKÖTSEL	42
FELSÖKNING	43
MILJÖSKYDD	44
TILLÅTET TEMPERATUROMRÅDE	44
GARANTI OCH SERVICE	45
NO	
RETNINGSLINJER FOR TRYGG BRUK	47
INSTALLERING OG BRUK AV APPARATET	50
DRIFT OG FUNKSJONER	51
BRUK KJØLESKAPET EFFEKTIVT	53
AVISING, RENGJØRING OG VEDLIKEHOLD	54
FEILSØK	55
MILJØVERN	56
KLIMAOMRÅDE	56
GARANTI OG ETTERSALGSSERVICE	57
FI	
TURVALLISTA KÄYTTÖÄ KOSKEVIA OHJEITA	59
LAITTEEN ASENUS- JA KÄYTTÖEHDOT	62
KÄYTTÖ JA TOIMINNOT	63
JÄÄKAAPIN TEHOKAS KÄYTTÖ	65
SULATUS, PESU JA YLLÄPITO	66
VIANMÄÄRITYS	67
YMPÄRISTÖNSUOJELU	68
ILMASTOALUE	68
TAKUU JA MYYNNIN JÄLKEINEN HUOLTO	69

OK!

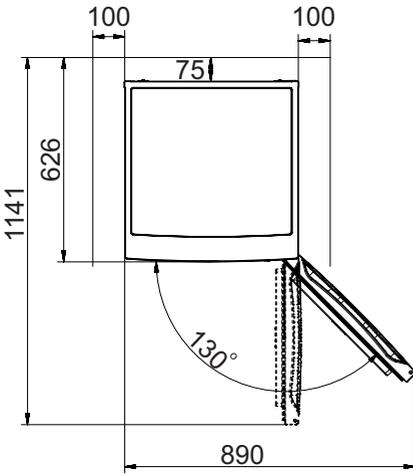
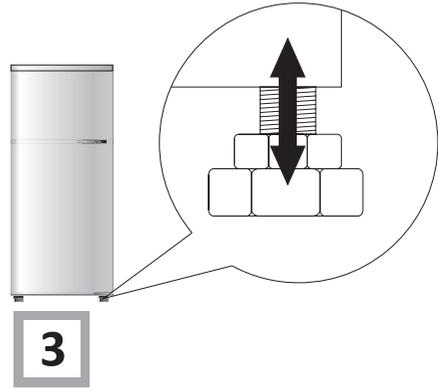
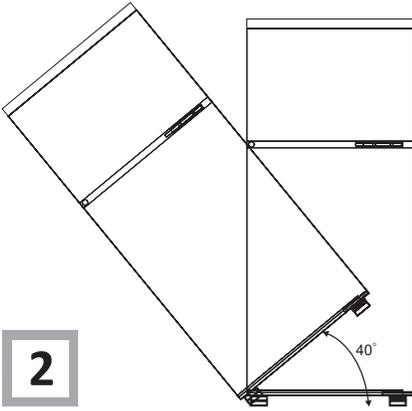


BRRRR!
HSSSSS!
SRRRR!
CLICK!
CRACK!
BLUBB!

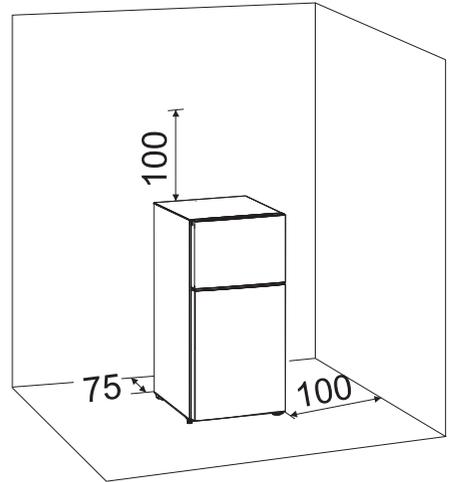




1

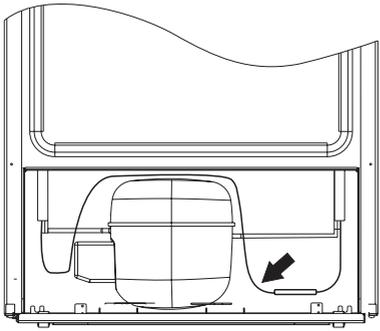


5

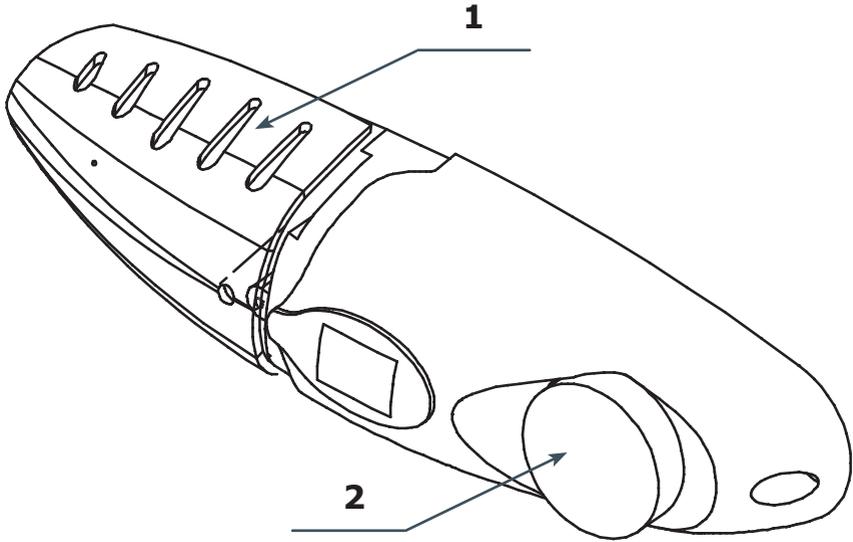
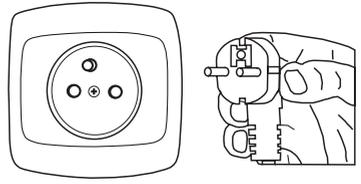


6

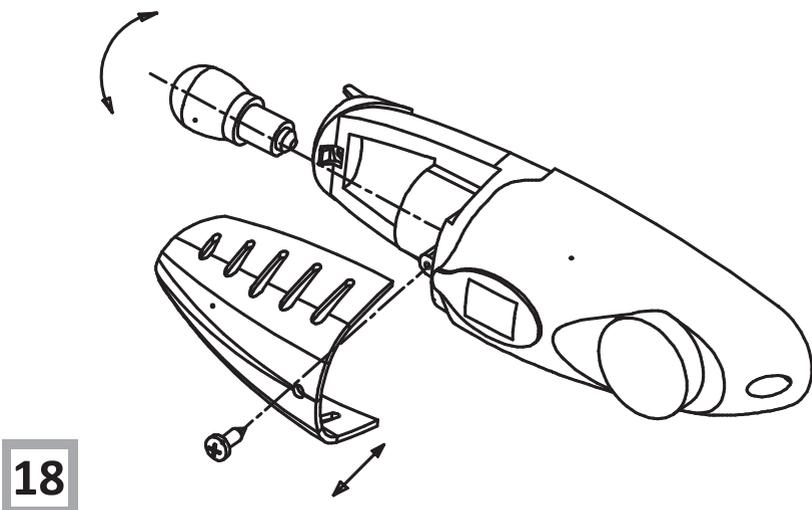
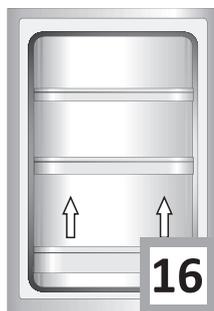
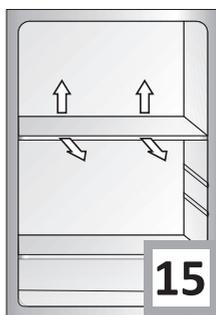
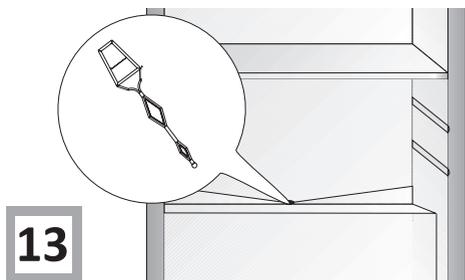
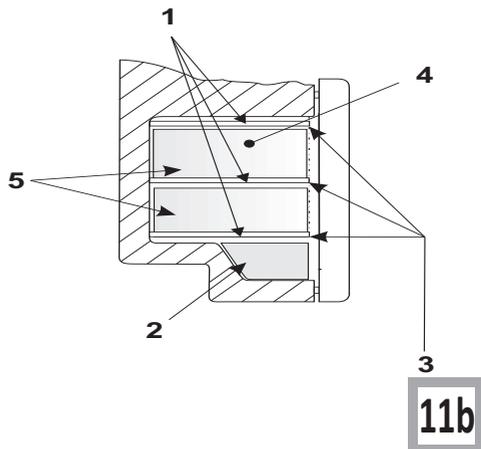
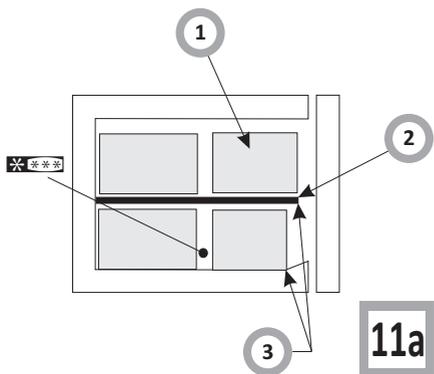
8

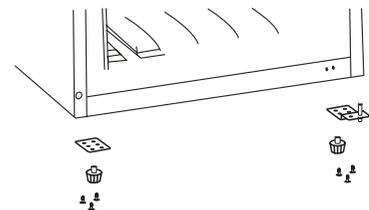
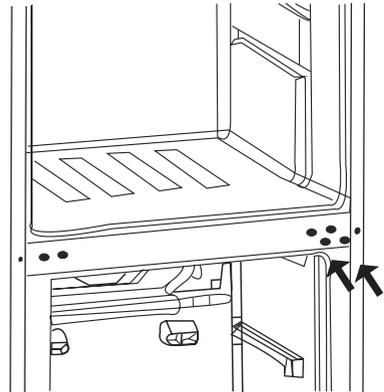
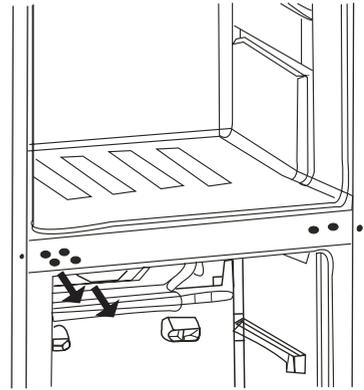
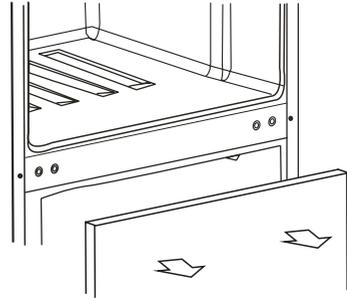
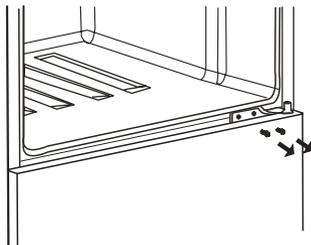
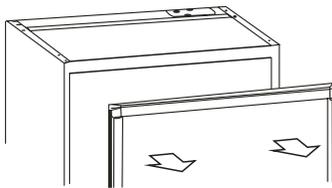
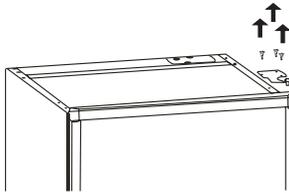
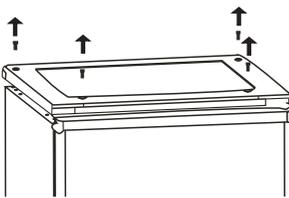
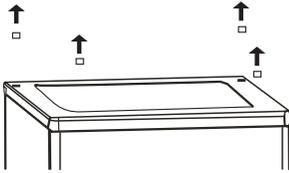
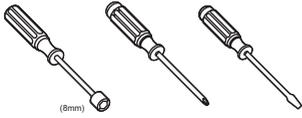


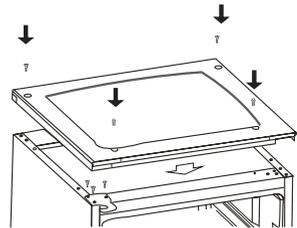
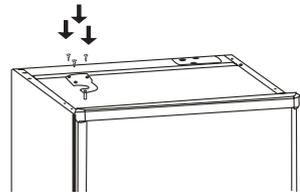
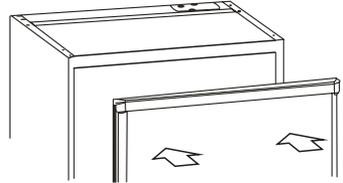
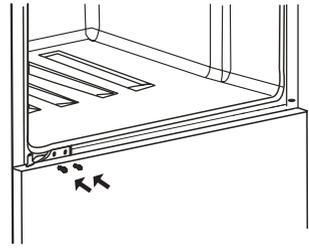
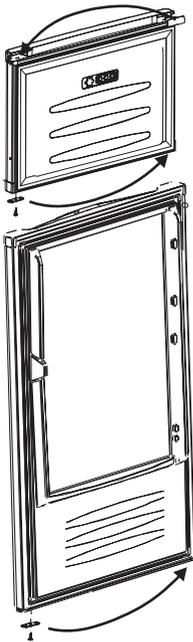
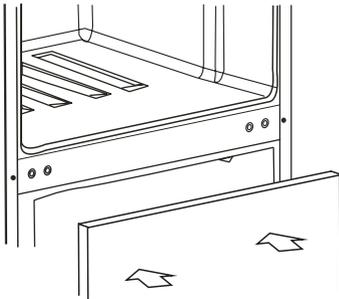
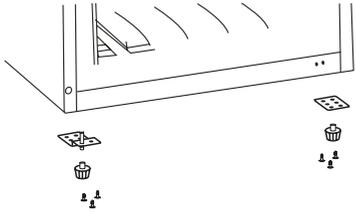
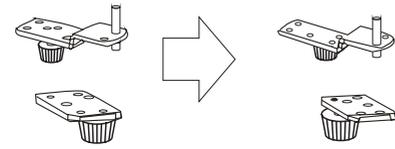
9



10







THANK YOU FOR PURCHASING AN GRAM APPLIANCE

EN

DEAR CUSTOMER!

Your appliance is exceptionally easy to use and extremely efficient. Before being packaged and leaving the manufacturer, the appliance was thoroughly checked with regard to safety and functionality.

Before using the appliance, please carefully read these Operating Instructions



Figures in this user manual are for illustrative purposes only. Full appliance fittings are listed in a relevant section.



The appliance is intended for household use only.

The manufacturer reserves the right to introduce changes which do not affect the operation of the appliance.



Some provisions in this user manual are unified for refrigerating products of different types (for a refrigerator, refrigerator-freezer or freezer).

The Manufacturer shall not be held liable for damage arising from the failure to observe the instructions contained in this manual.

Keep this manual for future reference, or to pass it over to the next user.

This appliance is not intended for use by persons (including children) with limited physical or mental capabilities and persons who lack experience or familiarity with the appliance.

Do not allow children to use the appliance. Do not allow them to play with the appliance. They must not climb inside the drawers and swing on the doors.

The appliance operates properly at the ambient temperature (see product fiche). Do not use it in the cellar, unheated summer cottage during autumn and winter.

When placing, moving, lifting the appliance, do not hold the door handles, do not pull the condenser at the rear part of the refrigerator and do not touch the compressor unit.

When transporting, moving or positioning the fridge-freezer do not tilt it by more than 40° from the vertical position. Should such a situation occur, the appliance should be switched on after minimum 2 hours from its replacement in the right position (fig.2).

Pull the plug out from the mains socket before each maintenance activity. Do not pull on the cord, but hold the body of the plug instead.

The “cracking” sound, which the appliance may emit is caused by the expansion and contraction of parts as a result of temperature variations.

For safety reasons do not repair the appliance yourself. Repairs carried out by persons who do not have the required qualifications may result in serious danger for the user of the appliance.

Air the room in which the appliance is placed for a few minutes (the size of the room for a product containing isobuthane/R600a must be at least 4m³) to avoid damage to the cooling system.

Do not refreeze partly thawed products.

Do not store beverages in bottles and cans, especially carbonated beverages, in the freezer chamber. The cans and the bottles may explode.

Do not put frozen products, taken out directly from the freezer (lollies, ice cubes, etc.) into your mouth, their low temperature may cause severe frost-bite.

Make sure you do not damage the cooling system, by puncturing the refrigerant pipes in the evaporator or breaking the pipes. The refrigerant is flammable. If the refrigerant makes contact with the eyes, rinse them with clean water and call for medical assistance immediately.

If the power wire gets broken, it should be replaced with a new one in a specialist repair shop.

This appliance is intended for food storage, do not use it for other purposes.

When performing activities, such as cleaning, maintenance or moving, the appliance must be completely disconnected from power supply (by pulling the plug out from the socket)

This appliance can be used by children aged 8 years and older or by persons with physical, mental or sensory handicaps, or by those who are inexperienced or unfamiliar with the appliance, provided they are supervised or have been instructed how to safely use the appliance and are familiar with risks associated with the use of the appliance. Ensure that children do not play with the appliance. Cleaning and maintenance of the appliance should not be performed by children unless they are 8 years or older and are supervised by a competent person.

In order to obtain more space in the freezer, you can remove the drawers and place the food directly on the shelves. This has no effect on the product mechanical properties and cooling performance. Declared freezer capacity was calculated with the drawers removed.*

* Applicable to appliances with a freezer compartment at the bottom of the appliance. / Does not apply to chest freezers

Installation before using the appliance for the first time

- Take the product out of the package, remove the scotch tape protecting the door and the equipment. Any remaining adhesive stains may be removed with a mild washing agent.
- Do not throw away the polystyrene elements of the packaging. If it is necessary to transport the fridge-freezer, pack it in the polystyrene elements and film as well as protecting it with scotch tape
- Clean the interior surface of the fridge-freezer and the elements of the equipment with a washing agent dissolved in lukewarm water, then wipe it dry.
- Place the fridge-freezer on an even, flat and stable surface, in dry, aired and shaded room, far from the heat sources such as: oven, hob, central heating radiators, central heating pipes, hot water installation, etc.
- On the exterior surface of the product may be a protective foil, this foils should be removed.
- Make sure the appliance is placed in a horizontal position by screwing in the 2 adjustable front legs (fig. 3)
- To ensure that the door opens freely, the distance between the side of the appliance (on door hinges side) and the wall is shown on figure 5.*
- Ensure adequate ventilation of the room and free air circulation from all sides of the appliance (fig. 6).*

Minimum distances from the heat sources

- from the electric gas and other ovens - 30 mm,
- from oil or coal fired ovens - 300 mm,
- from built-in ovens - 50 mm

If there is no possibility of ensuring the above-mentioned distances, provide an appropriate insulation board.

- The rear wall of the refrigerator, in particular, the condenser and other elements of the cooling system must not contact other elements, which may damage them, (e.g. central heating pipes and the water supply pipes).
- It is forbidden to readjust or modify any parts of the unit. It is crucial not to damage the capillary tube visible in the compressor recess. The tube may not be bent, straightened or wound.
- If the capillary tube is damaged by the user the guarantee will be void (fig. 8).
- In some models the handle is put into the appliance, You should screw it with Your own screwdriver,

Mains connection

- Prior to connection, it is recommended to set the temperature control knob to an „OFF” or other position that disconnects the appliance from the power supply (See page with the control description).
- This appliance should be connected to AC 220-240V 50Hz supply socket. The socket must be fitted properly, and must be supplied with an earthing conduit and a 10A fuse.
- It is a legal requirement that the appliance is properly earthed. The manufacturer will not be held liable for any damage or injury which may result from the failure to fulfil this requirement.
- Do not use adapters, multiple sockets and two-wire extension leads. If it is necessary to use the extension lead, it must be equipped with a protection ring and a single socket and must have a VDE/GS safety certificate.
- If an extension lead is used (with a protection ring and safety certificate), its socket must be located at a safe distance, away from the sinks, and must not be in a place where it could be flooded by water or waste water.
- See the type plate at the lower part of the internal wall of the appliance for detailed specifications**.

Disconnecting the mains

- Make sure the appliance can be easily disconnected from the mains, either by pulling the plug out of the mains socket, or by switching the two-pole switch off (fig. 9).

* Only free- standing appliances

** According to the model

Control panel (Fig. 10).

1. Bulb cover
2. Temperature knob (thermostat)

Temperature adjustment

Turning the knob to a different setting changes the temperature in the fridge-freezer.

Available knob settings:

- appliance switched off - OFF/0 setting
- maximum temperature - 1 setting
- optimal temperature - 2-6 setting (2-4)*
- minimum temperature - 7 setting (5)*



Do not put food into the fridge freezer before it has reached its operating temperature, which takes minimum 4 hours.

Temperature inside the fridge / freezer chamber

Do not change the temperature settings due to the change in the season of the year. The ambient temperature increase will be detected by the sensor and the compressor will be switched on automatically for a longer period of time in order to maintain the temperature set inside the chambers.

Minor changes in temperature

The slight changes in temperature are perfectly normal and may occur, for instance during the storage of great quantities of fresh products in the fridge, or when the door is open for a longer period of time. This will not affect the condition of the stored foodstuff, and the temperature will quickly return to its set value.

* According to the model

Replace the light bulb*

- Set the knob to „OFF”, then unplug the appliance.
- Remove the bulb cover.
- Replace the bulb with one having identical parameters as the bulb factory pre-installed in the appliance (E14 thread, 220-240V, max 10W, maximum dimensions: diameter 26 mm, length 55 mm).
- Replace the bulb cover.

Bulbs of a higher or lower power should not be used, only use bulbs of the specification given above.

The light bulb must not be used for room illumination.

* Applicable to appliances factory designed for incandescent lighting, and selected appliances equipped with LED lighting in the form of a E14 thread light bulb.

Storage of food in the fridge-freezer

Observe the following recommendations to ensure the food remains fresh.

- The products should be placed on plates, in containers or packed in food wrap. Distribute them evenly over the shelves.
- If the food contacts the rear wall, it may cause frosting or wetting of the products.
- Do not put dishes with hot food into the fridge
- Products which absorb flavours easily such as butter, milk, white cheese and products with intense flavour, such as fish, smoked meat, hard cheese must be placed on shelves, packed in food wrap or in tightly sealed containers.
- The storage of vegetables containing significant quantities of water will cause the deposition of condensation on the vegetable containers, it does not impact on the proper functioning of the fridge.
- Before putting the vegetables into the fridge, dry them well.
- Excessive moisture shortens the shelf life of vegetables, especially the leafed vegetables.
- Do not wash the vegetables before storing in the refrigerator. Washing removes the natural protection, therefore it is better to wash the vegetables directly before consumption.
- It is recommended to place the products in freezer drawers 1, 2, 3* up to natural loading capacity (Fig. 11a / 11b).**

1. Packed products
2. Shelf
3. Natural loading capacity
4. ❄️❄️❄️

- Stacking of products on the freezer shelves is acceptable.*
- It is acceptable to place products beyond the natural loading capacity by 20-30 mm.**
- In order to increase the loading capacity of the freezer chamber and allow the stacking of products on the freezer evaporator wire shelves up to maximum height it is possible to remove drawers 1 and 2.*

Freezing food**

- Practically all the food products, except for vegetables consumed raw, such as lettuce can be frozen.
- Only food products of the highest quality, divided into small portions for single use, should be frozen.
- Products should be packed in materials that are odourless, resistant to air and moisture penetration, and not susceptible to fat. Plastic bags, polyethylene and aluminium sheets are the best wrapping materials.
- The packaging should be tight and should stick to the frozen products. Do not use glass containers.
- Keep fresh and warm foodstuff at ambient temperature away from the products, which have already been frozen.

- We advise you not to place more of fresh food at a time to the freezer per day (see table with technical specification).
- In order to maintain optimum quality of the frozen food, reorganise the food that is in the middle of the freezer, so that it does not touch the products that are not yet frozen.
- It is recommended that you move the already frozen products to one side and place the fresh products that are to be frozen on the opposite side, as close to the rear and side walls as possible.
- To freezing products, use space marked ❄️❄️❄️
- **Bear in mind that the temperature in the freezer is affected by several factors, including the ambient temperature and the quantity of food products in the chamber, the frequency of opening the door, the amount of frost in the freezer, and the thermostat setting.**
- **If you cannot open the freezer door immediately after closing it, allow 1-2 minutes for the negative pressure to compensate, and try again to open the door.**

The storage time for frozen products depends on their quality before freezing when fresh, and on the storage temperature. The following storage periods are recommended when the temperature of -18°C or lower is maintained:

Products	Months
Beef	6-8
Veal	3-6
Giblets	1-2
Pork	3-6
Poultry	6-8
Eggs	3-6
Fish	3-6
Vegetables	10-12
Fruit	10-12

Do not store frozen food in rapid cooling chamber. Ice cubes can be prepared and stored in this chamber.***

- * Applicable to appliances with a freezer compartment at the bottom of the appliance.
- ** Applicable to appliances with a freezer compartment ❄️❄️❄️
- *** Not applicable to appliances with a freezer compartment marked ❄️❄️❄️

Practical everyday tips

- Do not place fridges or freezers next to radiators, heaters, stoves or in direct sunlight.
- Make sure that air vents are not covered up and clean the dust off them once or twice a year.
- Select the right temperature: 6 to 8°C in your refrigerator and -18°C in your freezer is sufficient.
- When on holiday, turn up the temperature in your fridge.
- Only open your fridge or freezer when necessary. It helps if you know what food each contains and where it is located. Return food to the fridge or freezer as soon as possible after you have used it so that it does not warm up too much.
- Wipe the inside of your fridge regularly with a cloth soaked in a mild detergent. Appliances which are not self-defrosting will require regular defrosting. Do not allow frost layers thicker than 10 mm to form.
- Keep the seal around the door clean, otherwise it will not shut properly. Always replace broken seals.

Understanding the stars

- ⊙ Temperature is at least -6°C; sufficient to store frozen food for about a week. Drawers or compartments marked with one star used to be a feature of (mostly) cheaper fridges.
- ★ Food can be stored at -12°C or below for 1-2 weeks without losing its taste. Not suitable for freezing food.
- ★★ This rating is mainly used to store foods at -18°C or below. Can also be used to freeze up to 1 kilogram of fresh food.
- ★★★ This appliance is suitable for storing foods at -18°C or below and freezing larger quantities of fresh foods.

Storage zones in the refrigerator

- Due to the natural circulation of the air in the appliance, there are different temperature zones in the refrigerator chamber.
- The coldest area is directly above the vegetables drawers. Use this area for all delicate and highly perishable food e.g.
 - Fish, meat, poultry
 - Sausage products, ready meals
 - Dishes or baked goods containing eggs or cream
 - Fresh dough, cake mixtures
 - Pre-packed vegetable and other fresh food with a label stating it should be kept at a temperature of approx 4°C.
- The warmest area is in the top section of the door. Use this for storing butter and cheese.

Food that should not be stored in a refrigerator

- Not all food is suitable for storing in the refrigerator, particularly:
 - Fruit and vegetables which are sensitive to cold, such as bananas, avocado, papaya, passion fruit, aubergines, peppers, tomatoes and cucumbers.
 - Fruit which is not yet ripe

DEFROSTING, CLEANING AND MAINTENANCE

EN

Never clean the product's casing or plastic parts using solvents or strong, abrasive detergents (e.g. washing powders or creams)! Use mild liquid detergents and soft cloths only. Do not use sponges.

Defrosting the fridge***

- Frost settles on the rear wall of the fridge chamber. It is removed automatically. During the defrosting, the condensate, which contains contaminants may clog the opening in the through. Should it occur, carefully unplug the opening with the cleaning plug (fig. 13).
- The appliance operates in cycles: it refrigerates (then the frost settles on the rear wall), and defrosts (water flows down the rear wall)



Disconnect the appliance from the mains before cleaning by removing the plug from the mains socket or switching off the fuse. Prevent water from penetrating the control panel or the light.

- Do not use defrosting aerosols. They may cause the formation of an explosive mixture, or contain solvents which may damage the plastic components of the appliance and even be harmful to health.
- Make sure the water used for cleaning does not flow into the evaporation container through the discharge opening.
- The whole appliance, except for the door gasket must be cleaned with a mild cleaning detergent. The door gasket should be cleaned with water and wiped dry.
- Wash all the accessories (vegetable containers, door shelves, glass shelves, etc.).

Defrosting the freezer**

- It is recommended to combine defrosting the appliance with washing it.
- Excessive accumulation of ice on the freezing areas impairs the appliance's freezing capacity and increases the energy consumption.
- Defrost the appliance at least once or twice a year. In case of a higher ice build-up, defrosting must be carried out more frequently.
- If there is food in the freezer, set the knob to the max. position about 4 hours before the planned defrosting. This will ensure the possibility of storing the food at the ambient temperature for a longer time.
- After taking the food out of the freezer, put it in a container, wrap it with several layers of paper, a blanket and store it at a cool place.
- The defrosting operation should last as short as possible. Long storage of food at the ambient temperature shortens their shelf life.

In order to defrost the freezer chamber, you must take the following steps:**

- Switch of the appliance using the control panel and pull the plug out from the socket..
- Open the door and remove the food from the freezer.

- Depending on the model, pull out the drainage tube located in the bottom of the freezer compartment and place a suitable vessel underneath.
- Leave the door open, this will speed up the defrost process. Additionally, a pot with hot water (not boiling) may be placed inside the freezer compartment.
- Wash the interior of the freezer and wipe it dry.
- Switch on the appliance as per the relevant point in the manual.

Automatic fridge defrosting****

The fridge chamber has been equipped with an automatic defrosting function. However, frost may settle on the rear wall of the fridge chamber. This happens usually, when large quantities of fresh food products are stored in the fridge.

Automatic freezer defrosting****

The freezer chamber has been equipped with an automatic defrosting function (no-frost). The food is frozen in the cooled circulation air, and the moisture from the freezer chamber is discharged outside. As a result, no ice and frost is produced in the freezer and the products do not freeze on each other.

Washing the fridge and freezer chambers manually****

It is recommended to wash the fridge and freezer chambers at least once a year. This prevents the formation of bacteria and bad odours. Switch off the appliance, using button (1), remove the food from the chambers and wash them using water with a mild detergent. Then, wipe the chambers dry with a cloth.

Taking out and putting in the shelves ****

Slide the shelf out, then slide it in as much as possible so that its clamp could fit the guide groove (fig. 15).

Taking out and putting in the door shelf ****

Lift the door shelf, remove it and put it back from the top into its required position (fig. 16).



You must not put an electric heater, a heating fan or a hair dryer into the freezer by any means.

** Applicable to appliances with a freezer compartment  Not applicable to appliances with a Frost-free System.

*** Applicable to appliances with a refrigerator compartment Not applicable to appliances with a Frost-free System.

**** Applicable to appliances with a Frost-free System.

***** Does not apply to chest freezers

Problems	Possible causes	Remedies
The appliance does not work	The electric circuit is disrupted	- check whether the plug is properly inserted into the socket - check whether the power cable of the appliance is not damaged - check whether there is voltage in the socket, by plugging another appliance, e.g. a night lamp - check whether the appliance is switched on by setting the thermostat to a position above 0.
The lighting inside the chamber does not work	The bulb is loose or fused (only appliances with bulb lightning type)	- fit the bulb correctly or replace it (see section above "Replacing the interior light bulb")
Temperature inside the appliance is not low enough or too high	Incorrect setting of the adjustment knob	- reset the knob to a higher position
	The ambient temperature is higher or lower than the climate range from table with technical specification	- the appliance is adapted to operation in the climate range from table with technical specification.
	The appliance is located in a sunlit place or near heat sources	- move the appliance to another place. Observe the guidelines contained in the manual
	Too much warm food loaded at a time	- wait 72 hours until the food becomes cool (freezes) and the required temperature is reached inside the chamber
	Internal air circulation obstructed	- place the food and containers in such a way that they do not touch the rear wall of the fridge
	The air circulation at the back of the appliance is obstructed	- move the appliance min. 30 mm away from the wall
	The door of the fridge/freezer is opened too often and/or remains open for too long	- reduce the frequency of opening the door and/or shorten the time when door remains open
	The door does not close completely	- place the food and containers so that they would not interfere with door closed
	The compressor is switched on too rarely	- check whether the ambient temperature is not lower than climate class
The appliance works continuously	Door gasket inserted incorrectly	- press the gasket in
	Incorrect setting of the adjustment knob	- reset the knob to a lower position
Water collects in the lower part of the appliance	See. "Temperature inside the appliance is not low enough for description of other possible causes"	See. "Temperature inside the appliance is not low enough for description of other possible remedies"
	The water discharge opening is clogged (depending on the model)	- clean the discharge opening (see the operating manual – chapter entitled "Defrosting the fridge")
The appliance generates unusual noise	Internal air circulation obstructed	- place the food and containers in such a way as that they do not touch the rear wall of the fridge
	Incorrect levelling of the appliance	- level the appliance properly
	The appliance is touching furniture and/or other objects	- place the appliance at a location that ensures proper clearances around it

Certain sounds can be heard during normal use of the refrigerator, which do not affect its correct operation.

Sounds, which can be easily prevented:

- noise caused by the appliance which is not level - adjust the position with the adjustable turn-in front feet. Alternatively, place pads made of soft material under the rear rollers, especially when the appliance is placed on tiles.
- touching the adjacent piece of furniture - move the refrigerator away.
- creaking of the drawers or shelves - take out and put back the drawer or shelf.
- sounds of clinking bottles - move bottles apart.

Sounds heard during normal use are mainly due to operation of the thermostat, compressor (switching on) and cooling system (thermal expansion and contraction of the radiator caused by flow of the cooling agent).



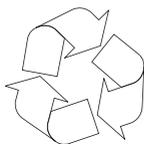
Ozone layer protection



The refrigerants and foaming agents, which are 100% free of FCKW and FKW have been used for manufacturing our product. Therefore we are helping to protect the ozone layer and prevent the increase of greenhouse effects. Also,

the innovative technology and environmentally friendly insulation help in reducing energy consumption.

Recycling of the packaging



Our packaging are made of environmentally friendly materials, which can be reused:

- The external packaging is made of cardboard/foil
- The FCKW free shape of foamed polystyrene (PS)
- Polyethylene (PE) foils and bags



ELIMINATION / DISPOSAL OF THE EQUIPMENT



If the appliance is no longer in use, cut the connecting cable off the used equipment before its scrapping. Also, remove the appliance lock or render it useless so that the appliance presents no

danger to children while being stored for disposal. This appliance is marked with a symbol of the crossed out waste container in conformance with the European Directive 2002/96/EC. Such marking informs that the equipment may not be kept together with other waste coming from the household after the period of its use. The user is obliged to dispose of the appliance at the waste collection point. The local waste collection points, shops and communal units form an appropriate system enabling the disposal of the equipment.

Handling the used electrical and electronic equipment properly contributes to the avoidance of consequences harmful to the human health and natural environment, resulting from the presence of hazardous substances and improper storage and processing of such equipment.

CLIMATE RANGE

The information about the climate range of the appliance is provided on the rated plate. It indicates at which ambient temperature (that is, room temperature, in which the appliance is working) the operation of the appliance is optimal (proper).

Climate range	Permissible ambient temperature
SN	from +10°C to +32°C
N	from +16°C to +32°C
ST	from +16°C to +38°C
T	from +16°C to +43°C

Warranty

Warranty service as stated on the warranty card

The manufacturer shall not be held liable for any damage caused by improper use of the product.

Manufacturer's Declaration

The manufacturer hereby declares that this product meets the requirements of the following European directives:

- **Low Voltage Directive 2014/35/EC**
- **Electromagnetic Compatibility (EMC) Directive 2014/30/EC**
- **ErP Directive 2009/125/EC**
- **Directive RoHS 2011/65/EC**

and has thus been marked with the  symbol and been issued with a declaration of compliance made available to market regulators.

TAK, FORDI DU HAR KØBT ET APPARAT FRA GRAM

KÆRE KUNDE!

Dit apparat er yderst nemt at bruge og ekstremt effektivt. Før apparatet blev pakket og sendt fra producenten, blev det tjekket grundigt med hensyn til sikkerhed og funktionalitet.

Læs denne brugervejledning omhyggeligt, inden apparatet tages i brug.

DA



Tegningerne i denne brugervejledning har kun illustrative formål. Lister over alt udstyr til apparatet findes i de relevante afsnit.



Dette apparat er kun beregnet til husholdningsbrug.

Producenten forbeholder sig ret til at indføre ændringer, som ikke påvirker betjeningen af apparatet.



Nogle af beskrivelserne i denne brugervejledning er fælles for køleprodukter af forskellige typer (køleskab, kombineret køle/fryseskab eller fryser).

Producenten kan ikke holdes ansvarlig for skade, der er forårsaget af manglende overholdelse af instruktionerne i denne vejledning.

Gem denne vejledning til fremtidig brug eller overdrag den til den næste bruger.

Dette apparat er ikke beregnet til brug af personer (herunder børn) med fysiske, mentale eller sensoriske handicap eller personer, som er uerfarne eller ubekendte med apparatet.

Lad ikke børn benytte apparatet uden opsyn. Lad ikke børn lege med apparatet. De må ikke kravle ind i skufferne og svinge på dørene.

Apparatet fungerer korrekt ved den omgivende temperatur (se produktskiltet). Bør ikke bruges i en kælder eller et uopvarmet sommerhus om efteråret og vinteren. Ved anbringelse, flytning og løft af apparatet, må der ikke holdes i håndtagene, trækkes i kondensatoren på bagsiden af køleskabet og kompressoren må ikke berøres.

Under transport, flytning og anbringelse af køle/fryseskabet må det ikke hældes mere end 40° i forhold til lodret position. Skulle den situation opstå, må apparatet først tændes mindst 2 timer efter, at det er anbragt i den korrekte position (fig. 2).

Tag stikket ud af stikkontakten før al vedligeholdelse-aktivitet. Træk ikke i ledningen, men tag fat i selve stikket.

Den "knasende" lyd, som apparatet måske udsender, skyldes udvidelse og sammentrækning af delene, som resultat af temperatursvingninger.

Af sikkerhedsmæssige årsager må du ikke selv reparere apparatet. Reparationer, udført af personer, som ikke har de fornødne kvalifikationer, kan resultere i alvorlig fare for brugeren af apparatet.

Udluft det rum, hvor apparatet placeres, i nogle få minutter (størrelsen af rummet for et produkt, der indeholder isobutan/R600a, skal være mindst 4 m³) for at undgå skade på kølesystemet.

Genfrys ikke delvist optøede produkter.

Opbevar ikke drikkevarer i flasker og dåser, (især drikkevarer med kulsyre) i fryserummet. Dåserne og flaskerne kan eksplodere.

Tag ikke produkter, der er taget direkte ud af fryseren (ispinde, isterninger osv.) i munden, da deres lave temperatur kan forårsage alvorlig forfrysning.

Sørg for ikke at ødelægge kølesystemet ved at punktere kølerørene i fordampere eller ved at brække rørene. Kølevæsken er brandfarlig. Hvis kølevæsken kommer i øjnene, skal de renses med rent vand, og der skal søges lægehjælp øjeblikkeligt.

Hvis strømkablet bliver beskadiget, skal det udskiftes med et nyt hos en specialreparatør.

Dette apparat er kun beregnet til opbevaring af madvarer og bør ikke bruges til andre formål.

Når der udføres aktiviteter som rengøring, vedligeholdelse eller flytning, skal apparatet afbrydes fuldstændig fra strømforsyningen (ved at tage stikket ud af stikkontakten)

Dette apparat kan bruges af børn i alderen fra 8 år og derover og personer med nedsatte fysiske, sensoriske eller mentale evner eller manglende erfaring og viden, hvis de har fået instruktion om brugen af apparatet på en sikker måde og forstår farerne involveret. Sørg for, at børn ikke leger med apparatet. Rengøring og vedligeholdelse af apparatet bør ikke udføres af børn, medmindre de er 8 år eller derover og vejledes af en kompetent person.

For at få mere plads i fryseren, kan du fjerne skufferne og placere madvarerne direkte på hylderne. Dette påvirker ikke produktets mekaniske egenskaber og køleevne. Den angivne frysekapacitet er beregnet med skufferne fjernet.*

* Gælder for apparater med en fryseafdeling i bunden af apparatet. / Gælder ikke for kummefrysere

Installation af apparatet før det bruges første gang

- Tag produktet ud af emballagen, fjern tapen, der beskytter døren og udstyret. Eventuelle klæbende pletter kan fjernes med en mild sæbe.
- Smid ikke polystyrendelene af emballagen væk. Hvis det er nødvendigt at transportere køle/frysekabet, kan du pakke det i polystyrendelene og film samt beskytte det med tape.
- Rengør køle-/frysekabet indvendigt samt de forskellige dele med et sæbemiddel, der er opløst i lunkent vand, og tør derefter helt af.
- Placer køleskabet/fryseren på en jævn, flad og stabil overflade i et tørt, luftigt og skygget rum, langt væk fra varmekilder som: ovn, kogeplade, centralvarme, radiatorer, varmerør, varmtvandsinstallationer osv.
- Der kan være en beskyttelsesfilm på produktets yderside, som bør fjernes.
- Kontroller, at apparatet er placeret vandret ved at skrue på de to justerbare ben mod forsiden (fig. 3)
- For at sikre at døren frit kan åbnes, skal afstanden mellem apparatets side (på den side hvor hængslerne sidder) og væggen være som vist i fig. 5.*
- Sørg for, at der er tilstrækkelig ventilation i rummet og fri luftcirkulation fra alle sider af apparatet (fig. 6).*

Minimumsafstand fra varmekilder

- fra elektriske-, gas- og andre ovne - 30 mm
- fra olie- eller kulfyrede ovne - 300 mm
- fra indbyggede ovne - 50 mm

Hvis det ikke er muligt at overholde disse ovenfor nævnte afstande, bør der installeres en passende isoleringsplade.

- Køleskabets bagside, især kondensatoren og andre elementer af kølesystemet, må ikke komme i kontakt med andre elementer, som kan beskadige dem (f.eks. centralvarmerør og vandrør).
- Det er forbudt at justere eller modificere nogen dele af enheden. Det er yderst vigtigt ikke at beskadige det kapillarrør, som ses i kompressorens fordybning. Røret må ikke bøjes, strækkes eller bliver beskadiget.
- Hvis kapillarrøret beskadiges af brugeren, vil garantien være ugyldig (fig. 8).
- På nogle modeller ligger håndtaget inde i apparatet, og du skal så selv skrue det på med din egen skruetrækker.

Tilslutning til lysnettet

- Før tilslutning anbefales det at indstille temperaturkontrollens knap til "SLUKKET" eller en anden position, som afbryder apparatet fra strømforsyningen (se siden med beskrivelse af indstillinger).
- Dette apparat skal tilsluttes en AC 220-240V 50Hz-stikkontakt. Stikkontakten skal installeres korrekt og skal være forsynet med en jordforbindelse og en 10A-sikring.
- Det er et lovkrav, at apparatet er korrekt jordforbundet. Producenten kan ikke holdes ansvarlig for nogen skade, der er resultat af, at dette krav ikke overholdes.
- Brug ikke adaptere, stikkontakter med flere stik eller forlængerledninger med to ledere. Hvis det er nødvendigt at bruge en forlængerledning, skal den være forsynet med en beskyttelsesring og et enkelt stik og skal være VDE/GS-sikkerhedscertificeret.
- Hvis der bruges en forlængerledning (med en beskyttelsesring og sikkerhedscertifikat), skal dens stik være i sikker afstand fra køkkenvasken, og den må ikke være et sted, hvor den kan blive oversvømmet af vand eller spildevand.
- Se yderlige specifikationer på typeskiltet på den nederste del af apparatets indervæg**.

Afbrydelse fra lysnettet

- Vær sikker på, at strømmen til apparatet nemt kan afbrydes, enten ved at trække stikket ud af stikkontakten eller ved at slukke for topols-kontakten. (Fig. 9).

* Kun fritstående apparater

** Afhængigt af model

Betjeningspanel (Fig. 10).

1. Dæksel til elpære
2. Temperaturknop (termostat)

Temperaturjustering

Temperaturen i køleskabet/fryseren ændres ved at dreje knappen til en ny indstilling.

Mulige indstillinger for knappen:

- apparatet slukket - SLUKKET/0 indstilling
- maksimumstemperatur - 1 indstilling
- optimal temperatur - 2-6 indstilling (2-4)*
- minimumtemperatur - 7 indstilling (5)*



Læg ikke madvarer i køleskabet/fryseren, før det har nået sin funktionstemperatur, hvilket tager mindst 4 timer.

Temperaturen inde i køleskabet/fryseren

Skift ikke temperaturindstilling på grund af ændrede årstider. Stigningen i den omgivende temperatur vil blive opfanget af sensoren, og kompressoren vil automatisk blive sat til at være tændt længere for at opretholde den indstillede temperatur inde i apparatet.

Mindre ændringer i temperaturen

Mindre ændringer i temperaturen er helt normalt og kan forekomme f.eks. under opbevaring af større mængder af friske produkter i køleskabet, eller hvis døren er åben i en længere periode. Dette vil ikke påvirke de opbevarede madvarer, og temperaturen vil hurtigt vende tilbage til den indstillede.

* Afhængigt af model

Udskiftning af lyspære*

- Sæt knappen til "SLUKKET", og afbryd derefter strømforsyningen til apparatet.
- Fjern dækslet til lyspæren (Fig. 18).
- Udskift pæren med en af samme type, som den, der var i apparatet fra fabrikken (E14, 220-240V, maks. 10W, maksimumsdimensioner: diameter 26 mm, længde 55 mm).
- Sæt dækslet til lyspæren på igen.

Der bør ikke bruges en pære med en højere eller lavere styrke, brug kun pærer som specificeret ovenfor.

Pæren må ikke bruges til oplysning af rummet.

* Gælder for alle apparater, der fra fabrikens side er designet til klar belysning, og udvalgte apparater, der er udstyret med LED-lys i form af E14-pærer.

Opbevaring af madvarer i køleskabet/fryseren

Overhold følgende anbefalinger for at sikre, at maden forbliver frisk.

- Produkterne skal være placeret på tallerkner, i beholdere eller indpakket i mademballage. For- del dem jævnt over hylderne.
- Hvis madvarerne berører bagvæggen, kan det forårsage, at produkterne fryser eller bliver våde.
- Sæt ikke tallerkner med varm mad i køleskabet
- Produkter, som nemt absorberer lugt, såsom smør, mælk, hvid ost og produkter med en intens lugt, såsom fisk, røget kød og hård ost, skal placeres på hylder, indpakket i fødevarer egnet emballage eller i tæt lukkede beholdere.
- Opbevaring af grøntsager med stort vandindhold vil forårsage forekomst af vandansamlinger i grøntsagsbeholderne, og det betyder intet for køleskabets funktion.
- Før grøntsagerne lægges i køleskabet, bør de aftørres godt.
- For megen væde forkorter levetiden for grøntsager, især bladgrøntsager.
- Vask ikke grøntsagerne, før de lægges i køleskabet. Vask fjerner den naturlige beskyttelse, og derfor er det bedre, at vaske grøntsagerne lige inden brug.
- Det anbefales at placere produkterne i fryser- skufferne 1, 2, 3* op til naturlig opfyldningskapa- citet (Fig. 11a/11b).**

1. Pakkede produkter
2. Hylde
3. Naturlig opfyldningskapacitet
4. ❄️❄️❄️

- Stabling af produkterne på fryserhylderne er acceptabelt.*
- Det er acceptabelt at placere produkter over den naturlige opfyldningskapacitet med 20-30 mm.**
- For at øge opfyldningskapaciteten i fryserum- met og tillade stabling af produkter på fryser- fordampersens trådhylder op til maksimal højde, kan skufferne 1 og 2 fjernes.*

Frysning af madvarer**

- Næsten alle madvarer kan fryses med undtagelse af grøntsager, der spises rå, såsom salat.
- Kun madvarer af højeste kvalitet, delt op i små portioner til enkelt brug, bør fryses.
- Produkterne bør emballeres i materialer, der er lugtfrie, luft- og fugttætte og fedtabsorberende. Plastikposer, polyetylen og aluminiumsfolie er de bedste materialer til indpakning.
- Indpakningen skal være tæt og bør omslutte de frosne produkter. Brug ikke glasbeholdere.
- Hold friske og varme madvarer væk fra de pro- dukter, der allerede er frosne.
- Vi anbefaler, at du ikke lægger mere frisk mad i fryseren ad gangen per dag (se tabellen med tekniske specifikationer).

- For at opretholde den højeste kvalitet af de frosne madvarer, bør du omorganisere maden, der ligger midt i fryseren, så den ikke rører de produkter, som endnu ikke er frosne.
- Det anbefales, at du flytter de allerede frosne produkter ud til den ene side og placerer de friske produkter, der skal indfryses, i den modsatte side, så tæt på side- og bagvæggene som muligt.
- Brug den plads, der er markeret ❄️❄️❄️ ved frysning af produkter.
- **Husk, at temperaturen i fryseren påvirkes af adskillige faktorer, heriblandt den omgivende temperatur og mængden af madvarer i fryse- ren, hvor ofte døren åbnes, mængden af rim i fryseren og termostatsens indstilling.**
- **Hvis du ikke kan åbne fryserdøren lige efter at have lukket den, lad der da gå 1-2 minutter for at udligne det negative tryk, og prøv så at åbne døren igen.**

Opbevaringstiden for frosne produkter afhænger af deres kvalitet før frysningen, da de var friske, og af opbevaringstemperaturen. Følgende opbe- varingstider anbefales, når temperaturen er -18 °C eller lavere:

Produkter	Måneder
Oksekød	6-8
Kalvekød	3-6
Indmad	1-2
Svinekød	3-6
Fjerkræ	6-8
Æg	3-6
Fisk	3-6
Grøntsager	10-12
Frugt	10-12

Opbevar ikke frosne madvarer i hurtigfrysning- rummet. Isterninger kan fryses og opbevares i dette rum.***

* Gælder for apparater med en fryseafdeling i bunden af apparatet.

** Gælder for apparatet med en fryseafdeling ❄️❄️❄️

*** Gælder ikke for apparater med en fryseafde- ling med markeringen ❄️❄️❄️

Praktiske hverdagstips

- Placer ikke køleskabe eller frydere ved siden af radiatorer, varmeapparater, ovne eller i direkte sollys.
- Sørg for, at luftventiler ikke er tildækkede, og rens dem for støv en til to gange årligt.
- Vælg den rigtige temperatur: 6 til 8 °C i dit køleskab og -18 °C i din fryser er tilstrækkeligt.
- Skru op for temperaturen i køleskabet, hvis du er på ferie.
- Luk kun køleskabet - eller fryserens dør op, når det er nødvendigt. Det er en hjælp at vide, hvilke madvarer de indeholder, og hvor de ligger. Læg madvarerne tilbage i køleskabet eller fryseren, så snart du er færdig med at bruge dem, så de ikke bliver for varme.
- Tør jævnlgt indersiden af køleskabet af med en klud med et mildt rengøringsmiddel. Apparater, der ikke er selvafrimende, skal afrimes regelmæssigt. Lad ikke islaget blive tykkere end 10 mm.
- Hold dørpakningen rundt om døren ren, da den ellers ikke vil lukke ordentligt. Udskift altid beskadigede dørpakninger.

Forklaring på stjernerne

- ⊖ Temperaturen er mindst -6 °C; tilstrækkeligt til at opbevare frosne madvarer i omkring en uge. Skuffer eller afdelinger, markeret med én stjerne, var engang almindelige i især billigere køleskabe.
- ⊖⊖ Madvarer kan opbevares ved -12 °C eller lavere i 1-2 uger uden at miste smag. Ikke egnet til frysning af madvarer.
- ⊖⊖⊖ Bruges til at opbevare madvarer ved -18 °C eller lavere. Kan også bruges til at fryse op til 1 kg friske madvarer.
- ❄️ Dette apparat er passende til opbevaring af madvarer ved -18 °C eller lavere og til at fryse større mængder af friske madvarer.

Opbevaringszoner i køleskabet

- På grund af den naturlige luftcirkulation i apparatet, er der forskellige temperaturzoner i køleskabsrummet.
- Det koldeste område er lige over grøntsagsskuffen. Brug dette område til alle sarte og let fordærvelige varer såsom:
 - Fisk, kød, fjerkræ
 - Pålæg, færdigretter
 - Retter samt tilberedte varer, der indeholder æg eller fløde
 - Frisk dej, kageblandinger
 - Indpakkede grøntsager og andre friske madvarer med en etiket, der siger, at de skal opbevares ved en temperatur på ca. 4 °C.
- Det varmeste område er øverst i døren. Brug dette til opbevaring af ost og smør.

Madvarer, der ikke bør opbevares i køleskab

- Det er ikke alle madvarer, der egner sig til opbevaring i køleskab, især:
 - Frugt og grøntsager, der er kuldefølsomme, såsom bananer, avocado, papaya, passionsfrugt, auberginer, peberfrugter, tomater og agurker.
 - Umoden frugt

Rengør aldrig produktets yderside eller plastikdele ved brug af opløsningsmidler eller stærke ridsende midler (f.eks. vaskepulver eller skurecreme)! Brug kun mildt rengøringsmiddel og bløde klude. Brug ikke svampe.

Afrimning af køleskabet***

- Den rim, der dannes på bagvæggen i køleafdelingen, fjernes automatisk. Under afrimningen kan kondensvandet, som indeholder snavs, blokere åbningen til afrimningsbakken. Hvis det sker, kan du forsigtigt rense åbningen med rensespinden (fig. 13).
- Apparatet arbejder i en cyklus, hvor det skiftevis køler, hvor der dannes rim på bagvæggen, og afrimer, hvor der løber vand ned ad bagvæggen.



Før rengøring skal du afbryde strømmen til apparatet ved at fjerne stikket fra stikkontakten eller ved at slukke for sikringen. Undgå, at vandet trænger ind i betjeningspanelet eller lampen.

- Brug ikke spraydåser med afsningsmiddel. De kan forårsage, at der dannes en eksplosiv blanding, eller de indeholder opløsningsmidler, som kan skade apparatets plastikdele og ligefrem være sundhedsfarlige.
- Sørg for, at det vand, der bruges til rengøring, ikke flyder ned i fordampningsbakken gennem åbningen.
- Hele apparatet, undtagen dørpakningen, skal renses med et mildt rengøringsmiddel. Dørpakningen renses med vand, og derefter tørres af.
- Vask alt tilbehør (grøntsagsbeholdere, dørhylde, glashylde osv.).

Afrimning af fryseren***

- Det anbefales at kombinere afrimning af apparatet med at vaske det.
- Samles der for meget is i fryseafdelingen, forringes skabets frysekapacitet, og energiforbruget øges.
- Afrim apparatet mindst en til to gange årligt. I tilfælde af at der dannes mere is, skal afrimning ske hyppigere.
- Hvis der er madvarer i fryseren, sættes termostatknapen i den koldeste position ca. 4 timer før den planlagte afrimning. Det vil forbedre muligheden for at opbevare madvarerne ved stuetemperatur i længere tid.
- Når madvarerne er taget ud af fryseren, lægges de i en container, pakkes ind i adskillige lag papir og et tæppe og opbevares på et køligt sted.
- Afrimningen bør tage så kort tid som muligt. Lang opbevaring af madvarer ved den omgivende temperatur forkorter deres levetid.

For at afrime fryserummet, skal du udføre følgende trin:**

- Sluk for apparatet ved brug af betjeningspanelet, og tag stikket ud af stikkontakten.
- Luk døren op, og fjern madvarerne fra fryseren.

- Afhængigt af modellen, trækkes dræningsrøret i bunden af fryseren ud, og placeres over en passende skål.
- Lad døren stå åben, da det vil gøre afrimningen hurtigere. Der kan desuden sættes en skål med varmt vand (ikke kogende) ind i fryseren.
- Vask fryserens inderside, og tør den af, så den er helt tør.
- Tænd for apparatet i henhold til brugervejledningen.

Automatisk afrimning af køleskabet***

Køleskabet er forsynet med en automatisk afrimningsfunktion. Det kan imidlertid ske, at der sætter sig is på køleskabets bagvæg. Dette sker som regel, når der opbevares store mængder af friske madvarer i køleskabet.

Automatisk afrimning af fryseren***

Fryseren er forsynet med en automatisk afrimningsfunktion (ingen isdannelse). Madvarerne fryses i den kolde cirkulationsluft, og fugten fra fryseren ledes udenfor. Resultatet er, at der ikke dannes is i fryseren, og at produkterne ikke fryser sammen.

Manuel vask af køleskabs- og fryserum****

Det anbefales at vaske indersiden af køleskab og fryser mindst én gang årligt. Det forhindrer dannelse af bakterier og dårlig lugt. Sluk for apparatet med knappen (1), tag madvarerne ud, og vask apparaternes inderside ved brug af vand med et mildt rengøringsmiddel. Tør derefter af med en klud.

Udtagning og isætning af hylderne *****

Træk hylden ud, og skub den derefter så langt ind, at dens klemme passer ind i styrelisten (fig. 15).

Udtagning og isætning af dørhylde *****

Løft op i dørhylden, og tag den ud. Sæt den igen ved at trykke den ned over holderne på det ønskede sted. (fig. 16).



Du må under ingen omstændigheder placere en elektrisk opvarmer, ventilator eller hårtørrer i fryseren.

** Gælder for apparater med et fryserum ☼☼☼☼
Gælder ikke for apparater med et frostfrit system.

*** Gælder for apparater med et fryserum. Gælder ikke for apparater med et frostfrit system.

**** Gælder for apparater med et frostfrit system.

***** Gælder ikke for kummefrysere

FEJLFINDING

DA

PROBLEM	Mulige årsager	Løsninger
Apparatet virker ikke	Det elektriske kredsløb er afbrudt	- kontroller, at stikket sidder korrekt i stikkontakten - kontroller, at ledningen til apparatet ikke er beskadiget - kontroller, om der er strøm i stikkontakten ved at sætte et andet apparat i den, f.eks. en lampe - kontroller, at apparatet er tændt ved at sætte termostaten til en position højere end 0
Lyset inde i apparatet virker ikke	Pæren sidder løst eller er sprunget (kun for apparater med pære som lyskilde)	- sæt pæren fast eller udskift den (se ovenstående afsnit "Udskiftning af pæren")
Temperaturen inde i apparatet er ikke lav nok eller for høj	Forkert indstilling af justeringsknappen	- sæt knappen til en højere position
	Den omgivende temperatur er højere eller lavere end klimaintervallet fra tabellen med tekniske specifikationer	- apparatet er indstillet til at virke indenfor det klimainterval, der fremgår af tabellen med tekniske specifikationer
	Apparatet står i sollys eller i nærheden af en varmekilde	- flyt apparatet til en anden placering Overhold anbefalingerne i denne brugervejledning
	For meget varm mad lagt i samtidigt	- vent 72 timer indtil maden er blevet kold (frossen), og den ønskede temperatur vil da være opnået igen
	Den indre luftcirkulation er forhindret	- placer madvarer og beholdere sådan, at de ikke berører køleskabets bagvæg
	Luftcirkulationen på apparatets bagside er forhindret	- flyt apparatet mindst 30 mm ud fra væggen
	Døren til køleskab/fryseren åbnes for ofte eller står åben for længe	- luk døren op mindre hyppigt og i kortere tidsperioder
	Døren lukker ikke helt	- placer madvarer og containere, så de ikke er i vejen for lukning af døren
Apparatet arbejder uafbrudt	Kompressoren tænder ikke ofte nok	- kontroller, at den omgivende temperatur ikke er lavere end angivet i klimatabellen
	Tætningslisten sidder forkert	- pres tætningslisten ind
	Forkert indstilling af justeringsknappen	- sæt knappen til en lavere position
Der samler sig vand i bunden af apparatet	Se "Temperaturen inde i apparatet er ikke lav nok" for en beskrivelse af andre mulige årsager	Se "Temperaturen inde i apparatet er ikke lav nok" for en beskrivelse af andre mulige løsninger
	Åbningen til vandudledning er blokeret (afhængigt af model)	- rens åbningen (se brugervejledningen – afsnittet "Afrimning af køleskabet")
Apparatet afgiver en usædvanlig lyd	Den indre luftcirkulation er forhindret	- placer madvarer og beholdere sådan, at de ikke berører køleskabets bagvæg
	Apparatet er ikke placeret helt vandret Apparatet berører møbler og/eller andre ting	- juster placeringen, så apparatet står helt vandret - placer apparatet et sted, hvor der er tilstrækkelig plads omkring det

Visse lyde kan høres under normal brug af køleskabet, hvilket ikke påvirker dets korrekte funktion.

Lyde, som næmt kan undgås:

- lyd fra apparatet, hvis det ikke står vandret - juster positionen ved hjælp af de forreste justerbare fødder. Alternativt kan der placeres puder af blødt materiale under de bageste hjul, især hvis apparatet står på fliser.
- berøring af nærtstående møbel - flyt køleskabet væk.
- knagende lyd fra skuffer eller hylder - tag dem ud, og sæt dem i igen.
- lyde af klirrende flasker - flyt flaskerne væk fra hinanden.

Lyde, der høres under normal brug, kommer som regel fra termostaten, kompressoren (når den tændes) og kølesystemet (termal udvidelse og sammentrækning af radiatoren på grund af kølemidlets bevægelse).

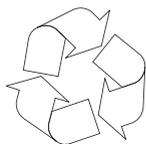


Beskyttelse af ozonlaget



Kølevæskerne og skummidlerne, som er brugt ved produktionen af vores produkt, er 100 % frie for chlorofluorocarbon (CFC) og hydrofluorcarbon (HFC). Således hjælper vi med til at beskytte ozonlaget og forhindre forøgelsen af drivhuseffekten. Desuden hjælper den innovative teknologi og miljøvenlige isolering med til at reducere energiforbruget.

Genbrug af emballagen



Vores emballage er fremstillet af miljøvenlige materialer, som kan genbruges:

- Den ydre emballage er fremstillet af pap/folie
- Den CFC-frie form af polystyrenskum (PS)
- Folie og poser af polyetylen (PE)



BORTSKAFFELSE AF UDSTYR



Hvis apparatet ikke længere bruges, klippes strømkablet af det brugte udstyr før kassering. Desuden bør apparatets lås fjernes eller gøres ubrugelig, så apparatet ikke udgør nogen fare for børn, mens det oplagres med henblik på kassering. Dette apparat er mærket med symbolet med en overkrydset affaldscontainer i overensstemmelse med det europæiske direktiv 2002/96/EC. Denne mærkning indikerer, at udstyret ikke må opbevares sammen med andet husholdningsaffald, efter at det har været i brug. Brugeren er forpligtet til at indlevere apparatet på et indsamlingssted for affald. De lokale indsamlingssteder for affald, forretninger og fælles anlæg udgør et passende system, som muliggør bortskaffelse af udstyret.

Håndtering af brugt elektrisk og elektronisk udstyr bidrager væsentligt til at undgå de skadelige konsekvenser for menneskeligt helbred og naturmiljøet, der er resultatet af tilstedeværelsen af farlige stoffer og uforsvarlig opbevaring og behandling af sådant udstyr.

KLIMAINTERVAL

Oplysninger om klimaintervallet fremgår af mærkepladen. Den angiver, i hvilken omgivende temperatur (dvs. temperaturen i det rum, hvor apparatet arbejder) apparatet fungerer bedst (korrekt).

KLIMAINTERVAL	Acceptabel omgivende temperatur
SN	fra +10 °C til +32 °C
N	fra +16°C til +32 °C
ST	fra +16°C til +38°C
T	fra +16°C til +43°C

Garanti

Garantiservice som angivet på garantikortet

Producenten kan ikke holdes ansvarlig for nogen som helst skade, der er forårsaget af forkert brug af apparatet.

Producentdeklaration

Producenten erklærer herved, at dette produkt lever op til kravene i følgende europæiske direktiver:

- **Lavspændingsdirektivet 2014/35/UE**
- **Direktivet vedr. elektromagnetisk kompatibilitet (EMC) 2014/30/UE**
- **ErP-direktivet 2009/125/UE**
- **Direktivet RoHS 2011/65/UE**

og er således mærket med symbolet **CE** og er forsynet med en overholdelsesdeklaration, der stilles til rådighed for markedsregulatorer.

TACK FÖR ATT DU HAR KÖPT EN GRAM-PRODUKT

BÄSTA KUND!

Den här kombinerade kyl/frysen förenar användarvänlighet med utmärkt prestanda. Innan produkten lämnade vår fabrik kontrollerades den noga avseende säkerhet och funktion.

Läs igenom användarmanualen noga innan du börjar använda produkten.

SV



Användarmanualens bilder har endast ett illustrativt syfte. Du hittar en fullständig lista över produktens inredning i tillhörande avsnitt.



Produkten är endast avsedd för hushållsbruk.

Tillverkaren förbehåller sig rätten till ändringar som inte inverkar på produktens funktioner.



Somliga av beskrivningarna i den här användarmanualen är enhetliga för olika typer av produkter för att kyla livsmedel (kylskåp, kyl/frys eller frys). Information om produkttypen finns i medföljande tekniska datablad.

Tillverkaren ansvarar inte för skador som uppstår på grund av att instruktionerna i manualen inte har följts. Spara manualen för framtida bruk och lämna med den om produkten byter ägare.

Apparaten är inte avsedd att användas av personer (inklusive barn) med nedsatt fysisk, sensorisk eller mental förmåga, eller som saknar erfarenhet och kunskaper om dess användning, utom om de övervakas eller har instruerats av den som ansvarar för deras säkerhet. I Håll uppsikt över barn så att de inte leker med produkten.

Barn ska inte använda produkten utan uppsikt. Låt inte barn leka med produkten. De ska inte klättra i lådorna eller gunga på dörren.

Produkten fungerar korrekt i rumstemperatur (se tabellen med teknisk specifikation). Den ska inte användas i källare eller i ouppvärmda sommarstugor under höst och vinter.

Produkten får inte ställs upp, flyttas eller bäras i dörrens handtag eller dras i kondensorn på produktens baksida.

Rör heller inte vid inte kompressorenheten.

Produkten ska inte lutas med än 40 grader från sin lodräta position när den transporteras, flyttas eller ställs på plats. Om detta inträffar ska du inte sätta igång produkten förrän tidigast 2 timmar efter att den har ställts i sitt rätta läge (fig. 2).

Dra ut kontakten ur strömuttaget innan produkten ska rengöras, skötas eller repareras. Dra ute ut kontakten i sladden, utan håll i själva kontakten.

Om du hör knakande ljud från produkten beror de på att komponenterna utvidgas och dras samman på grund av temperaturvariationer.

Av säkerhetsskäl ska du aldrig själv reparera produkten. Om personer med otillräckliga kunskaper reparerar produkten kan det orsaka allvarliga faror för de som använder produkten.

Vädra rummet där produkten ska stå i några minuter (ett rum där en produkt som innehåller isobutan/R600a ska stå måste vara minst 4 m³) för att undvika skador på kylsystemet.

Frys inte om livsmedel som redan har hunnit tina delvis. Förvara inte flaskor och burkar, i synnerhet sådana som innehåller kolsyrade drycker, i frysdelen. Burkarna och flaskorna kan explodera.

Stoppa inte frysta livsmedel (isglass, iskuber o.s.v.) i munnen direkt efter att du tagit dem ur frysen, deras låga temperatur kan orsaka allvarliga förfrysningsskador.

Var aktsam om kylsystemet så att det inte skadas genom att du punkterar köldmedlets rör i förångaren eller bryter av rören. Köldmedlet är lättantändligt. Spola ögonen rikligt med vatten och uppsök därefter omedelbart läkarvård om du har fått köldmedel i ögonen.

Om elsladden går sönder ska den ersättas med en ny, som du köper i fackhandeln.

Den här produkten är avsedd för livsmedelsförvaring och får inte användas för andra ändamål.

Produkten ska vara helt avskiljd från all strömtillförsel (dra ut kontakten ur strömuttaget) om du utför arbete på den, som till exempel rengöring, skötsel eller om den ska flyttas.

Barn bör bara tillåtas använda apparaten själva efter att ha fått noggrann information om hur den används på ett säkert sätt och om riskerna vid felaktig användning.

För att få mer utrymme i frysen, kan du ta bort lådorna och placera maten direkt på hyllorna. Detta påverkar inte produktens termiska och mekaniska egenskaper. Angiven fryskapacitet beräknades exklusive fryslådorna.

* Gäller produkter med ett frysack produktens botten / Gäller inte frysboxar

Installation innan du använder produkten första gången

- Ta ut produkten ur förpackningen och ta bort skyddstejen från dörren och tillbehören. Eventuella limrester kan tvättas bort med ett mildt diskmedel.
- Släng inte förpackningens delar av polystyren. Om du senare behöver transportera kyl/frysens packar du in den i polystyrendelarna och skyddar den med tejp.
- Tvätta av kyl/frysens inre samt tillbehören med diskmedel och ljummet vatten och torka den med en torkduk.
- Ställ kyl/frysens i skugga på ett jämnt, plant och stadigt underlag i ett torrt, ventilerat utrymme och på avstånd från värmekällor som ugn, spis, värmeelement värmeledningsrör, varmvatteninstallationer o.s.v.
- Produktens utsida kan vara skyddad med skyddsfolie som ska tas bort.
- Försäkra dig om att produkten står vägrätt genom att skruva fast de 2 justerbara fötterna längst fram (fig. 3).
- Avståndet mellan produktens sida (dörnhängningssidan) och väggen så att dörren ska kunna öppnas helt visas i fig. 5.*
- Försäkra dig om att rummet är tillräckligt ventilerat och att luften kan cirkulera fritt på produktens alla sidor (fig. 6).*

Minsta avstånd till värmekällor

- från elektriska, gas eller andra ugnar - 30 mm,
- från olje- eller koleldade ugnar - 300 mm,
- från inbyggda ugnar - 50 mm

Montera en lämplig isoleringsskiva om ovanstående avstånd inte kan hållas.

- Kylens bakvägg, i synnerhet kondensorn och andra komponenter till kylsystemet, får inte beröra andra element som kan skada dem (t.ex. värmeledningsrör och vattenrör).
- Det är förbjudet att ändra och modifiera någon del av produkten. Det är av yttersta vikt att kapillärröret som syns i kompressorns fördjupning inte skadas. Röret får inte böjas, rätas ut eller vridas.
- Om användaren skadar kapillärröret upphör garantin att gälla (fig. 8).
- På vissa modeller ska handtaget fästas på produkten. Du ska skruva fast det med din egen skruvmejsel.

Strömanslutning

- Vi rekommenderar att du ställer temperaturreglaget på „OFF”, eller ett annat läge som avskiljer produkten från strömmen, innan du sätter igång produkten (se sidan med beskrivning av reglagen).

- Produkten ska anslutas till ett AC 220-240 V / 50 Hz strömuttag. Uttaget måste vara ordentligt monterat, vara jordat och ha en 10 A säkring.
- Det är fastställt i lag att produkten måste ha korrekt jordning. Tillverkaren övertar inget ansvar för person eller sakskador som kan uppstå på grund av att detta krav inte uppfylls.
- Använd inte adapterar, grenuttag eller tvåtrådiga förlängningssladdar. Om du måste använda en förlängningssladd ska den ha en skyddsring, bara ett uttag samt vara VDE/GS-certifierad.
- Om du använder en förlängningssladd (med skyddsring och säkerhetscertifikat) måste uttaget vara på säkert avstånd från vaskar och får inte placeras på ställen där det kan rinna vatten eller avloppsvatten på det.
- Se märkskylten som sitter på nedre delen av produktens insida för detaljerade specifikationer.**

Avskilja från strömmen

- Säkerställ att det går lätt att avskilja produkten från strömmen, antingen genom att dra ut kontakten ur strömuttaget eller genom att stänga av den tvåpoliga brytaren (fig. 9).

*Gäller inte för inbyggda produkter.

** Förekommer beroende på modell.

Kontrollpanel (fig. 10)

1. Lamphölje
2. Temperaturreglage

Temperaturreglering

Du ändrar kyl/frysens temperatur genom att ändra reglaget läge.

Tillgängliga lägen:

- produkten avstängd - läge OFF/0
- maxtemperatur - läge 1
- optimal temperatur - läge 2-6 (2-4)*
- mintemperatur - läge 7 (5)*



Förvara inte livsmedel i kyl/frysens innan den har uppnått arbetstemperaturen. Detta tar minst 4 timmar.

Temperatur i frysen/frysdelen

Ändra inte temperaturinställningarna utifrån årets årstidsväxlingar. En sensor känner av om rumstemperaturen höjs och kompressorn kommer då att stängas av automatiskt en längre tid för att upprätthålla temperaturen i kyl/frysens.

Mindre temperaturvariationer

Mindre temperaturvariationer är helt normala och kan uppstå exempelvis om du stoppar in större mängder rumstempererade eller varma livsmedel i kylan, eller om du har lämnat dörren öppen en längre stund. Det har ingen inverkan på livsmedlens hållbarhet och temperaturen återgår snabbt till den inställda.

* Förekommer beroende på modell.

Byta glödlampa i skåpet*

- Ställ reglaget på „OFF” och dra ut kontakten ur uttaget.
- Ta bort lamphöljet (fig. 18).
- Ersätt glödlampen med en lampa som har identiska egenskaper som den som har förinstallerats på fabriken (E14 sockel, 220-240 V, max 10 W, maximala dimensioner: diameter 26 mm, längd 55 mm).
- Sätt tillbaka lamphöljet.

Använd inte lampor med högre eller lägre effekt, utan endast sådana som motsvarar ovanstående specifikationer.

Glödlampen ska inte användas för rumsbelysning.

* Gäller produkter som är fabriksstillverkade för glödlampor och vissa produkter med LED-lampor som har en E14 sockel.

Förvara livsmedel i kyl/frys

Följ nedanstående rekommendationer för att hålla livsmedlen fräscha.

- Livsmedel ska placeras på tallrikar, i burkar eller packas in i matfolie. Fördela livsmedel jämnt över de undre hyllorna.
- Om livsmedel berör bakväggen kan de frysa eller bli våta.
- Ställ inte in varma maträtter i kylan.
- Livsmedel som lätt tar åt sig smak, som smör, mjölk, mjukost, och livsmedel med starka smaker, som fisk, rökt kött, lagrad hårdost, ska ställas på hyllorna förpackade i matfolie eller i burkar med tättslutande lock.
- Grönsaker som innehåller mycket vatten kommer att orsaka kondens i grönsakslådorna. Detta inverkar inte på kylens korrekta funktion.
- Torka av grönsaker noga innan du ställer dem i kylan.
- För mycket fukt förkortar grönsakernas hållbarhet, i synnerhet för bladgrönsaker.
- Skölj inte grönsakerna innan du ställer dem i kylan. Vattnet sköljer av grönsakernas naturliga skydd. Det är därför bättre att skölja grönsakerna strax innan de ska konsumeras.
- Vi rekommenderar att du fyller livsmedel i fryslådorna 1, 2, 3* upp till deras ordinarie kapacitet (fig. 11a/11b).**

1. Förpackat livsmedel
2. Hylla
3. Ordinarie kapacitet
4. ❄️❄️❄️

- Du kan stapla livsmedelsförpackningarna på fryshyllorna.*
- Du kan fylla på livsmedel upp till 20-30 mm utöver den ordinarie kapaciteten.**
- För att öka frysens lastkapacitet och stapla livsmedel på frysens hyllor upp till maxhöjden kan du ta bort låda 1 Och 2.*

Frysa livsmedel**

- Du kan i princip frysa all slags livsmedel, utom grönsaker som ska konsumeras råa, till exempel grönsallad.
- Du bör bara frysa in livsmedel av högsta kvalitet. Dessa ska frysas i portionsförpackningar.
- Livsmedlen ska förpackas i material som är luktlösa, luft- och vattentäta och som inte absorberar fett. Fryspåsar av plast, polyetylen och aluminiumfolie är bäst att använda.
- Förpackningen ska vara tät och ligga an kring livsmedlet. Använd inte glasburkar.
- Livsmedel som redan har frysts ska inte komma i närheten av färsk, varm mat i rumstemperatur.
- Vi råder dig att inte ställa in för mycket färska livsmedel på en gång i frysen per dag (se tabellen med teknisk specifikation).
- För att frysa livsmedel ska bibehålla bästa kvalitet ska du flytta livsmedel som finns i frysens mitt så att de inte kommer i kontakt med livsmedel som ännu inte hunnit frysa.

- Vi rekommenderar att du flyttar redan frysta livsmedel mot en sida, och sätter in de livsmedel som ska frysas på motsatt sida så nära bakväggen som möjligt.
- Använd utrymmet som är märkt med ❄️❄️❄️ för att frysa in livsmedel.
- **Tänk på att frysens temperatur påverkas av flera faktorer, inklusive rumstemperaturen och mängden livsmedel i frysen, hur ofta du öppnar dörren, isbildning i frysen och termostatens inställning.**
- **Vänta 1-2 minuter så att undertrycket försvinner om du inte kan öppna dörren genast efter att du har stängt den och försök igen.**

Livsmedlens hållbarhetstid i frysen beror på deras kvalitet innan de frystes och på frysens inställda temperatur. Se listan nedan hur länge du kan förvara olika livsmedel om temperaturen är -18 grader eller lägre:

Livsmedel	Månader
Nötkött	6-8
Kalvkött	3-6
Inälvsmat	1-2
Fläskkött	3-6
Fågel	6-8
Ägg	3-6
Fisk	3-6
Grönsaker	10-12
Frukt	10-12

Förvara inte frysta livsmedel infrysningsfacket. Iskuber kan frysas och förvaras i detta fack.**

- * Gäller produkter med ett frysack produktens botten.
- ** Gäller produkter med ett frysack ❄️❄️❄️
- *** Gäller inte produkter med ett frysack som är märkt ❄️❄️❄️

Praktiska tips i vardagen

- Ställ inte kylskåp och frysar bredvid värmeelement, värmefläktar, kaminer eller i direkt solljus.
- Säkerställ att ventilationsöppningar inte är stängda och torka ur dammet en eller två gånger om året.
- Välj rätt temperatur: 6 till 8 grader i kylan och -18 grader i frysen räcker.
- Hög frysens temperatur om du åker på semester.
- Öppna inte kylan och frysen oftare än nödvändigt. Det underlättar om du vet vilka livsmedel som förvaras och var du har ställt dem. Ställ tillbaka överblivna livsmedel i kylan eller frysen så fort som möjligt så att de inte blir för varma.
- Torka regelbundet av kylens insida med en duk fuktad med mildt diskmedel. Vitvaror som inte avfrostas automatiskt måste avfrostas regelbundet. Isbildningen får inte vara tjockare än 10 mm.
- Håll gummilisten runt dörren ren, annars kan den inte stängas ordentligt. Byt alltid skadad gummilist.

Förklaring av stjärnorna

- ☉ Temperaturen är minst -6 grader; räcker för att förvara frusna livsmedel i cirka en vecka. Lådor och fack märkta med en stjärna brukade finnas på (vanligtvis) billigare kylskåp.
- ☼ Livsmedel kan förvaras i -12 grader eller lägre i 1-2 veckor utan smakförsämring. Inte lämpligt för infrysning.
- ☽ Denna märkning används vanligen till förvaring i -18 grader eller lägre. Kan även användas för att frysa in upp till 1 kilo livsmedel.
- ☾ Vitvaran kan förvara livsmedel i -18 grader eller lägre och frysa in större mängder livsmedel.

Kylskåpets förvaringszoner

- Kylskåpet har olika temperaturzoner på grund av naturlig luftcirkulation inuti skåpet.
- Det kallaste området finns direkt ovanför grönsakslådorna. Använd detta område för att förvara ömtåliga livsmedel och livsmedel med kort hållbarhet, tex
 - Fisk, kött, fågel
 - Charkprodukter, färdigrätter
 - Rätter eller bakverk som innehåller ägg och grädde.
 - Färsk deg, kakmix
 - Förpackade grönsaker eller livsmedel vars etikett anger att de ska förvaras i en temperatur på cirka 4 grader.
- Det varmaste området är i dörrens övre del. Använd denna del för att förvara smör och ost.

Livsmedel som inte ska förvaras i kylskåp

- All mat lämpar sig inte för förvaring i kylskåp, i synnerhet:
 - Frukt och grönsaker som är känsliga mot kyla, som bananer, avokado, papaya, passionsfrukt, auberginer, paprikor, tomater och slanggurkor.
 - Omogen frukt

AVFROSTNING, RENGÖRING OCH SKÖTSEL

Inga delar av produkten får rengöras med lösningssmedel eller starka, repande rengöringsmedel (t.ex. skurpulver, rengöringskrämer)! Använd bara mildt diskmedel och en mjuk putsduk. Använd inte svampar.

Frosta av kylan***

- Is bildas inuti kylskåpet. Det frostas av automatiskt. Under avfrostningen kan condensatet, som innehåller smuts, göra att det blir stopp i öppningen. Om det inträffar tar du försiktigt bort smutsen med rengöringstappen (fig. 13).
- Skåpet arbetar i cykler: det kyls då bildas is på bakväggen) och frostar av (vatten rinner ner för bakväggen).



Avskilj skåpet från strömmen genom att dra ut kontakten ur uttaget eller genom att slå ifrån säkringerna innan du rengör det. Se till att vatten inte tränger in i kontrollpanelen eller i lampan.

- Använd inte avfrostningsspray. Den kan orsaka att en explosiv blandning bildas, innehålla lösningsmedel som skadar skåpens plastdelar och till och med vara hälsofarlig.
- Försäkra dig om att tvättvattnet inte rinner in i förångarens behållare genom tömningsöppningen.
- Hela skåpet, utom dörrlisten, ska tvättas av med ett mildt diskmedel. Dörrlisten ska tvättas av med vatten och torkas torr.
- Tvätta av alla tillbehör (grönsakslådor, dörrhyllor, glashyllor o.s.v.).

Frosta av frysen**

- Vi rekommenderar att du frostar av frysen i samband med att du tvättar av den.
- Om det samlas för mycket is i frysen försämras fryskapaciteten och energiförbrukningen stiger.
- Frosta av frysen minst en eller två gånger om året. Om isbildningen är stor måste frysen frostas av oftare.
- Om du har livsmedel i frysen ställer du reglaget i maxläget cirka 4 timmar innan du har täkt frosta av den. Då kan du förvara livsmedlen i rumstemperatur en längre tid.
- Ta ut livsmedlen ur frysen, lägg dem i en lämplig behållare, slå om flera lager papper samt en filt och ställ i ett svalt utrymme.
- Avfrostningen bör ta så kort tid som möjligt. Om livsmedlen står i rumstemperatur en längre tid förkortas deras hållbarhetstid.

Gör så här för att frosta av frysen:**

- Stäng av produkten med kontrollpanelen eller genom att dra ut kontakten.
- Öppna dörren och töm frysen på livsmedel.
- Avhängigt av utförandet drar du ut dräneringsröret i frysens botten och placerar ett lämpligt kärl under röret.
- Lämna dörren öppen, då sker avfrostningen snabbare. Du kan även ställa en kastrull med varmt (inte kokande) vatten inuti frysen.
- Tvätta frysen inuti och torka den torr.
- Sätt på frysen enligt anvisningarna i manualens tillämpliga avsnitt.

Automatisk avfrostning av kylan****

Kylskåpet är utrustat med en automatisk avfrostningsfunktion. Trots detta kan is bildas på kylskåpets bakvägg. Detta händer i allmänhet om för stor mängd livsmedel förvaras i kylan på en gång.

Automatisk avfrostning av frysen****

Frysen är utrustad med en automatisk avfrostningsfunktion. Livsmedlet är fryses av den kalla, cirkulerande luften och fukten i frysen töms ut. Det innebär att ingen is bildas i frysen och att livsmedlen inte fryser fast i varandra.

Tvätta kylan och frysen för hand***

Vi rekommenderar att du tvättar av kylan och frysen inuti minst en gång om året. Det förhindrar att bakterier bildas och dålig lukt uppstår. Stäng av skåpet med knappen (1), töm ut livsmedlet ur skåpen och tvätta av skåpen inuti med vatten och ett mildt diskmedel. Torka sedan torrt med en torlud.

Ta ut och sätta in hyllor *****

Dra ut hyllan och skjut sedan in den så långt som möjligt så att dess fäste passar in i skenan (fig. 15).

Ta ut och sätta in dörrhyllan *****

Lyft dörrhyllan, ta ut den och sätt tillbaka den i rätt läge uppförån (fig. 16).



Du får under inga förhållanden ställa ett elektriskt element, en värmefläkt eller en fön i frysen.

** Gäller produkter med ett fryslock . Gäller inte produkter med ett frostfritt system.

*** Gäller produkter med ett kylfack. Gäller inte produkter med ett frostfritt system.

**** Gäller produkter med ett frostfritt system

***** Gäller inte frysboxar

FELSÖKNING

Problem	Möjliga orsaker	Åtgärd
Skåpet fungerar inte.	Strömtillförseln är avbruten.	- Kontrollera att kontakten sitter fast ordentligt i uttaget. - Kontrollera att elsladden inte är skadad. - Kontrollera att det finns spänning i uttaget genom att ansluta en annan kontakt, till exempel till en bordslampa. - Kontrollera att skåpet är tillslaget genom att ställa termostaten i ett läge över 0.
Lampan i skåpet fungerar inte.	Glödlampan sitter löst eller är trasig (endast för skåp med glödlampor).	- Skruva fast lampan eller byt den (se avsnittet "Byta glödlampa i skåpet").
Temperaturen i skåpet är inte tillräckligt låg eller för hög.	Reglaget är inte rätt inställt.	- Ställ reglaget i ett högre läge.
	Rumstemperaturen är högre eller lägre än det temperaturområde som anges den tekniska specifikationen.	- Skåpet är konstruerat för att fungera inom det temperaturområde som anges den tekniska specifikationen.
	Skåpet står i solljus eller nära värmekällor.	- Flytta skåpet till ett svalare ställe. Följ anvisningarna i manualen.
	För stor mängd varma livsmedel har satts in på en gång.	- Vänta 72 timmar tills livsmedlen är kalla (fryser) och den önskvärda temperaturen i frysen har uppnåtts.
	Inre luftcirkulation är blockerad.	- Ställ livsmedel och förvaringsburkar så att de inte berör kylens bakvägg.
	Luftcirkulationen bakom skåpet är blockerad.	- Flytta skåpet minst 30 mm från väggen.
	Kyl/frysens dörr öppnas för ofta och/eller lämnas öppen för länge.	- Öppna inte dörren så ofta och/eller förkorta tiden då den är öppen.
	Dörren kan inte stängas helt.	- Ställ livsmedel och förvaringsburkar på så sätt att de inte hindrar att dörrens stängs.
	Kompressorn sätter igång för sällan.	- Kontrollera om rumstemperaturen är lägre än klimatklassen.
	Dörrlisten är felaktigt insatt.	- Tryck in dörrlisten.
Skåpet arbetar hela tiden.	Reglaget är inte rätt inställt.	- Ställ reglaget i ett lägre läge.
	Se "Temperaturen i skåpet är inte tillräckligt låg" för beskrivning av andra möjliga orsaker.	Se "Temperaturen i skåpet är inte tillräckligt låg" för beskrivning av andra möjliga åtgärder.
Vatten samlas i skåpets lägre del.	Stopp i vattentömningsöppningen (beroende på utförande).	- Rengör öppningen (se användarmanualens kapitel "Frosta av kylan").
	Inre luftcirkulation är blockerad.	- Ställ livsmedel och förvaringsburkar så att de inte berör kylens bakvägg.
Ovanliga ljud från skåpet.	Skåpet står inte korrekt.	- Justera skåpet så det är vågrätt.
	Skåpet berör möbler och/eller andra föremål.	- Ställ skåpet på en plats med tillräckligt fritt utrymme kring det.

SV

Kylen avger vissa ljud under normal användning. Dessa inverkar inte på skåpets korrekta funktioner.

Ljus som lätt kan förhindras:

- Ljud beroende på att skåpet inte står vågrätt - rätta till läget med de justerbara fötterna framtill. Alternativt kan du lägga en stoppning av något mjukt material under bakhjulen, i synnerhet om skåpet står på klinkers.
- Skåpet berör intillstående möbler - flytta kylskåpet en liten bit bort.
- Lådor eller hyllor knakar - ta ut och sätt tillbaka lådan eller hyllan.
- Klirrande ljud från flaskor - öka avståndet mellan flaskorna.

De ljud som hörs under normal användning orsakas i huvudsak av termostatsens, kompressornas (sätter igång) och kylsystemets (termisk expansion och sammandragning av kylaren p.g.a. köldmedlets flöde) funktioner.

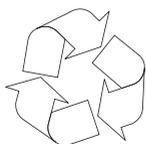
Skydd av ozonlagret



Vi har använt köld- och skummedel som är 100 % fria från klorfluorkarboner och fluorkolväten vid tillverkningen av produkten. Därmed bidrar vi till att skydda ozonlagret och förhindrar att växthuseffekten ökar. Därtill bidrar vår

innovativa teknik och miljövänliga isolering till att sänka energiförbrukningen.

Återvinna förpackningen



Våra förpackningar är gjorda av miljövänliga material som kan återvinnas.

- Ytterförpackningen är gjord av kartong/folie.
- Klorfluorkarbon-fritt polystyrenskum (PS).
- Folie och påsar av polyetylen (PE).

AVFALLSHANTERA/SKROTA PRODUKTEN



När produkten är uttjänt ska du först skära av anslutningssladden innan du skrotar den. Ta även bort produktens lås eller gör den oanvändbar på annat sätt så att den inte utgör någon fara för barn

medan den förvaras inför skrotningen.

Produkten är märkt med en överkorsad soptunna i enlighet med det europeiska direktivet 2002/96/EG. Märkningen anger att produkten inte får kastas i hushållssoporna när den inte längre används. Användaren måste lämna in produkten till en sopstation. Den lokala sopstationen, affärer och kommunala organ utgör ett system som gör det möjligt att avfallshandla produkten på ett lämpligt sätt.

När uttjänt elektrisk och elektronisk utrustning hanteras korrekt bidrar det till att minska hälso- och miljörisiker som orsakas av farliga ämnen och olämplig förvaring och hantering av sådan utrustning.

TILLÅTET TEMPERATUROMRÅDE

Information om tillåtet temperaturområde finns på skåpets märkskylt. Det anger vid vilken rumstemperatur skåpet fungerar optimalt (korrekt).

Tillåtet temperaturområde	Godkänt temperaturområde
SN	från +10°C till +32°C
N	från +16°C till +32°C
ST	från +16°C till +38°C
T	från +16°C till +43°C

Garanti

Garantin gäller enligt informationen på garantibeviset.

Tillverkaren ansvarar inte för någon skada som orsakas av att produkten har använts på ett felaktigt sätt.

Försäkran om överensstämmelse

Tillverkaren förklarar härmed att denna produkt uppfyller kraven i följande europeiska direktiv:

- **Lågspänningsdirektivet 2014/35/EG**
- **EMC-direktivet 2014/30/EG**
- **ErP-direktivet 2009/125/EG**
- **RoHS-direktivet 2011/65/EG**

och har därmed märkts med  symbolen samt erhållit en försäkran om överensstämmelse som finns tillgänglig för marknadsreglerande organ.

TAKK FOR AT DU KJØPTE ET GRAM-PRODUKT

KJÆRE KUNDE!

Apparatet er utrolig enkelt å bruke og ekstremt effektivt. Før pakking og forsendelse fra produsenten, ble apparatet nøye kontrollert med tanke på sikkerhet og funksjonalitet.

Før apparatet tas i bruk, må du lese denne bruksanvisningen nøye

NO



Figurene i bruksanvisningen er kun ment som illustrasjoner. Du finner all nødvendig informasjon i den relevante delen.



Produktet er kun beregnet for bruk i hjemmet.

Produsenten forbeholder seg retten til å innføre endringer som ikke påvirker bruken av apparatet.



Enkelte bestemmelser i denne bruksanvisningen er felles for kjøleapparater av ulike typer (kjøleskap, kombiskap, frysenskap eller fryseboks).

Produsenten skal ikke holdes ansvarlig for skade som følge av manglende overholdelse av instruksjonene i denne bruksanvisningen.

Oppbevar denne bruksanvisningen for fremtidig bruk eller å gi den til neste bruker.

Dette apparatet er ikke beregnet for bruk av personer (inkludert barn) med begrensede fysiske eller mentale evner eller personer som mangler erfaring eller kjennskap til apparatet.

Ikke la små barn bruk apparatet. Ikke la dem leke med apparatet. De må ikke klatre i skuffene eller svinge døren.

Apparatet fungerer på riktig måte i omgivelsestemperatur (se typeskilt). Ikke bruk apparatet i kjeller eller i uoppvarmet hytte om høsten og vinteren.

Ikke hold i dørhåndtaket, ikke trekk i kondensatoren bak på kjøleskapet og ikke rør ikke kompressorenheten når du beveger, flytter eller løfter apparatet.

Ved transport flytting eller bevegning av kombiskapet, må det ikke vippes mer enn 40 ° fra den vertikale stillingen. Dersom det skulle oppstå en slik situasjon, må apparatet slås på etter minimum to timer etter flytting i riktig posisjon (fig. 2).

Trekk støpselet ut av kontakten før det gjennomføres vedlikehold. Trekk i støpselet, ikke i kabelen.

Den "knakende" lyden som apparatet kan avgi kommer av utvidelse og sammentrekning av deler som skyldes temperaturvariasjoner.

Av sikkerhetsgrunner må du ikke prøve å reparere apparatet selv. Reparasjoner utført av personer som ikke har de nødvendige kvalifikasjoner kan føre til alvorlig fare for den som bruker apparatet.

Luft i rommet hvor apparatet skal stå i et par minutter (størrelsen på plassen til et produkt som inneholder iso-butan/R600a må være minst 4 m³) for å unngå skade på kjølesystemet.

Ikke frys delvis tinte produkter på nytt.

Ikke oppbevar drikke i flasker og bokser i fryseren; det gjelder spesielt for kullsyreholdig drikke. Boksene og flaskene kan eksplodere.

Ikke legg frosne produkter (is, isbiter, osv.) som tas rett ut av fryseboksen i munnen; den lave temperaturen kan forårsake frostbitt.

Pass på at du ikke skader kjølesystemet ved å punktere kjølemedierørene i fordamperen eller brette rørene. Kjølemiddelet er brannfarlig. Dersom kjølemiddelet kommer i kontakt med øynene dine, må du skylle godt med rent vann og ringe lege umiddelbart.

Hvis strømkabelen skades må den skiftes ut med en ny hos fagmann.

Dette apparatet er kun beregnet på oppbevaring av mat. Når du utfører aktiviteter som rengjøring og vedlikehold eller flytter apparatet, må du først tekke ut støpselet fra kontakten

Dette apparatet kan brukes av barn i alderen 8 år og eldre eller personer med fysiske, psykiske eller sensoriske handikap eller av personer som er uerfarne eller ukjente med apparatet, forutsatt av at de overvåkes eller har fått beskjed om hvordan de trygt kan bruke apparatet og forstår den risikoen som er forbundet med bruk av apparatet. Sørg for at barn ikke leker med apparatet. Rengjøring og vedlikehold av apparatet bør ikke utføres av barn med mindre de er 8 år eller eldre og er under tilsyn av en kompetent person.

For å få mer plass i fryseren, kan du ta ut skuffene og legge maten direkte på hyllene. Dette har ingen effekt på produktets mekaniske egenskaper og kjøleevne. Angitt frysekapasitet er angitt uten skuffer.

* Gjelder apparater med frysedel nederst / Gjelder ikke for frysebokser

Installasjon før apparatet brukes for første gang

- Ta produktet ut av emballasjen, fjern tapen som beskytter døren og utstyret. Eventuelle teiprester kan fjernes med et mildt vaskemiddel.
- Ikke kast isoporen som utgjør en del av emballasjen. Dersom det blir nødvendig å transportere kombiskapet, skal det pakkes inn i isopor og folie som festes med teip.
- Rengjør kombiskapet og alle delene inni med lunkent såpevann før du tørker det tørt.
- Plasser kombiskapet på et jevnt, flatt og stabilt underlag på et tørt, luftig og skyggefullt sted og ikke i nærheten av varmekilder som: komfyr, stekeovn, radiator, varmerør, varmtvannstank, osv.
- Utenpå apparatet kan det sitte en beskyttelsesfolie, og denne folien skal fjernes.
- Sørg for at apparatet står i horisontal posisjon ved å skru på de to justerbare bena (fig. 3)
- For å sikre at døren kan åpnes helt, bør avstanden mellom siden av apparatet (på den hengslede siden) og veggen være som vist på figur 5.*
- Sørg for tilstrekkelig ventilasjon i rommet og fri luftsirkulasjon på alle sider (fig. 6).*

Minimumsavstander fra varmekilder

- fra elektriske gassovner og andre ovner – 30 mm,
- olje- eller kullovner – 300 mm,
- for innebygde ovner – 50 mm

Det er ikke mulig at avstandene som er angitt over gir riktig isolasjon.

- Baksiden av kjøleskapet, spesielt kondensatoren og andre elementer i kjølesystemet, må ikke komme i kontakt med andre elementer som kan skade dem (f.eks. varme- eller vannrør).
- Det er forbudt å justere eller endre noen deler av apparatet. Det er viktig ikke å skade kapillarrøret som er synlig i kompressorens utsparing. Røret må ikke bøyes, rettes ut eller skades.
- Dersom kapillarrøret skades av bruker, vil skaden ikke dekkes av garantien (fig. 8).
- På noen apparater er håndtaket innfelt. Du kan skru det på med en vanlig skrutrekker.

Nettilkobling

- Før tilkobling anbefales det å stille kontrollknappen på «OFF» eller en annen posisjon som kobler apparatet fra strømmen (Se side med beskrivelse av kontrollknappen).
- Dette apparatet skal kobles til en stikkontakt med 220-240 V AC 50Hz. Stikkontakten må være festet godt og må være utstyrt med jordingsledning og en 10A sikring.
- Det er et juridisk krav at apparatet skal være jordet. Produsenten kan ikke holdes ansvarlig for eventuelle skader som skyldes manglende jording.
- Ikke bruk skjøteledninger, adaptere eller lignende. Dersom det er nødvendig å bruke skjøteledning, må den være utstyrt med en beskyttelsesring og en enkelt kontakt samt ha VDE/GS-sikkerhetssertifikat.
- Dersom det brukes skjøteledning (med beskyttelsesring og sikkerhetssertifikat), må kontakten være plassert i trygg avstand fra vasker og ikke på et sted der den kan bli oversvømmet av vann eller avløpsvann.
- Se typeplaten på den nedre delen av den indre veggen av apparatet for detaljerte spesifikasjoner**.

Koble fra strømforsyningen

- Sørg for at apparatet lett kan kobles fra strømuttaket, enten ved å trekk ut ledningen fra veggkontakten, eller ved å slå av den topolede bryteren (fig. 9)..

* Kun frittstående apparater

** I henhold til modell

Kontrollpanel (Fig. 10).

1. Lyspæredeksel
2. Temperaturbryter (termostat)

Temperaturjustering

Ved å vri knappen til en annen innstilling, endres temperaturen i kombiskapet.

Tilgjengelig i to knappeinnstillinger:

- apparatet er slått av - AV/0
- maksimumstemperatur - 1-innstilling
- optimal temperatur - 2-6-innstilling (2-4)*
- minimumstemperatur - 7-innstilling (5)*



Ikke legg mat i kombiskapet før det har nådd riktig driftstemperatur, noe som tar minimum fire timer.

NO

Temperatur inni kjøledel/frysedel

Du må ikke endre temperaturinnstillingene i forhold til ulike årstider. En økning i omgivelsestemperaturen vil bli registrert, og kompressoren slås automatisk på for en lengre periode for å opprettholde temperaturen inne i apparatet.

Mindre temperaturendringer

Mindre temperaturforskjeller er helt normalt og kan forekomme, f.eks. ved lagring av større kvanta med ferske produkter i kjøleskapet eller dersom døren står åpen over lengre tid. Dette vil ikke påvirke tilstanden til de lagrede matvarene, og temperaturen vil raskt reguleres til innstilt verdi.

*I henhold til modell

Skifte lyspære*

- Vri knappen til «OFF» (AV) før du kobler apparatet fra strømmen.
- Fjern dekselet over lyspæren.
- Erstatt lyspæren med en lyspære med samme parametere som den som ble levert med apparatet fra fabrikken ((E14 tråd 220-240 V, maks. 10W, maksimale dimensjoner: diameter 26 mm, legnde 55 mm).
- Sett dekselet tilbake på plass.

Ikke bruk sterkere lyspærer. Velg alltid lyspære som overholder spesifikasjonen overfor.

Lyspæren skal ikke brukes til å lyse opp et rom.

* Gjelder apparater med glødelampebelysning og utvalgte apparater som er utstyrt med LED-belysning i form av en E14 lyspære.

Lagring av mat i kombiskapet

Ta hensyn til følgende anbefalinger for å sikre at maten holder seg frisk.

- Maten bør plassere på tallerkener, i beholdere eller pakkes inn. Fordel den jevnt på hyllene.
- Dersom maten kommer i kontakt med bakveggen, kan den fryse eller bli våt.
- Ikke legg varm mat i kjøleskapet.
- Produkter som lett absorberer smak, som smør, melk, hvit ost og produkter med sterk smak, som fisk, røkt kjøtt og hard ost, må legges på hyller, pakkes godt inn eller oppbevares i lukkede beholdere.
- Oppbevaring av grønnskaper som inneholder mye vann kan forårsake økt kondens i grønnsaksbeholderne, men det påvirker ikke funksjonen til kjøleskapet.
- Tørk godt av grønnsakene før du legger dem i kjøleskapet.
- Overdreven fuktighet forkorter holdbarheten til grønnsaker, spesielt bladgrønnsaker.
- Ikke vask grønnsakene før oppbevaring i kjøleskap. Vasking fjerner naturlig beskyttelse, og derfor er det bedre å vaske grønnsaker rett før bruk.
- Det anbefales i å legge produktene i fryseskuffene 1, 2, 3* inntil naturlig lagringskapasitet (Fig. 11a / 11b).**

1. Pakkede produkter
2. Hylle
3. Naturlig lagringskapasitet
4. ❄️❄️❄️

- Stabling av produkter på frysehyllene er akseptabelt.*
- Det er akseptabelt å plassere produkter utover den naturlige lastekapasitet med 20-30 mm.**
- For å øke kapasiteten i frysedelen og stable produkter på trådhyllene i maksimal høyde, kan skuff 1 og 2 fjernes*

Fryse mat**

- Nesten alle matvarer kan fryses, bortsett fra grønnsaker som skal spises så, slik som salat.
- Kun matvarer av høy kvalitet, og delt i mindre porsjoner, bør fryses.
- Matvarene bør pakkes i emballasje som er uten lukt og fett og er motstandsdyktig mot luft og fuktighet. De beste innpakningsmaterialene er plastposer, polyetylen- og aluminiumsfolie.
- Emballasjen må være tett og sitt tett rundt maten. Ikke bruk glassbeholdere.
- Hold ferske og varme matvarer som holder romtemperatur unna matvarer som allerede har vært frosne.
- Vi anbefaler at du ikke legger for mange friske matvarer i fryseren samtidig (se tabell med tekniske spesifikasjoner).
- For å opprettholde optimal kvalitet på den frosne maten, bør matvarene i fryseren plasseres midt i fryseren, slik at de ikke kommer i kontakt med produkter som enda ikke er frosne.

- Det anbefales at du flytter allerede frosne produkter til en side og plasserer den ferske maten på den andre siden – så nær bak- og sideveggene som mulig.
- Til fryseprodukter, bruk plass merket ❄️❄️❄️
- **Husk at temperaturen i fryseren påvirkes av ulike faktorer, inklusiv omgivelsestemperatur og mengde matvarer, antall ganger døren åpnes, mengde is i fryseren og termostatinstillingen.**
- **Dersom du ikke kan åpne døren umiddelbart etter at du har lukket den, vent 1-2 minutter for å kompensere det negative trykket før du prøver å åpne døra igjen.**

Lagringstiden for frosne produkter avhenger av kvaliteten før frysing samt oppbevaringstemperaturen. Følgende lagringstider anbefales dersom temperaturen ligger på -18 °C eller lavere:

Produkter	Måneder
Storfe	6-8
Kalv	3-6
Innmat	1-2
Svinekjøtt	3-6
Fjærkre	6-8
Egg	3-6
Fisk	3-6
Grønnsaker	10-12
Frukt	10-12

Ikke oppbevar frossen mat i hurtigkjølingsdelen. Isbiter kan lages og oppbevares i denne delen.***

* Gjelder apparater med frysedel nederst,

** Gjelder for apparater med frysedel ❄️❄️❄️

*** Gjelder ikke for apparater med frysedel merket ❄️❄️❄️

Praktiske hverdagstips

- Ikke plasser kjøleskap og fryser i nærheten av radiatorer, varmeovner eller komfyrer eller i direkte sollys.
- Kontroller at ventilene ikke er dekket til, og rengjør dem for støv en til to ganger per år.
- Velg riktig temperatur: 6 til 8 °C i kjøleskapet og -18 °C i fryseren er nok.
- Når du er på ferie, bør du skru opp temperaturen i kjøleskapet.
- Kjøleskap og fryser skal kun åpnes ved behov. Det hjelper dersom du vet hva slags mat det er i beholderne samt hvor de befinner seg. Legg maten tilbake i kjøleskapet eller fryseren så snart du har brukt det du trenger, slik at den blir oppvarmet minst mulig.
- Vask kjøleskapet innvendig med jevne mellomrom med vann og mild såpe. Apparater som ikke har automatisk avising må avises regelmessig. Ikke la islaget bli tykkere enn 10 mm.
- Hold tetningen rundt døren ren, ellers vil den ikke lukke ordentlig. Skift alltid ut en ødelagt tetning.

Forstå stjernene

- ☺ Temperaturen er minst 6 °C; nok til å oppbevare frossen mat i rundt en uke. Skuffer eller avdelinger som er merket med en stjerne var tidligere (som regel) et symbol på billige kjøleskap.
- ☺☺ Mat kan lagres ved -12 °C eller lavere i 1-2 uker uten at det påvirker smaken. Ikke egnet til frysing av mat.
- ☺☺☺ Brukes hovedsakelig til lagring av mat ved -18°C eller lavere. Kan også brukes til å fryse inntil 1 kilo fersk mat.
- ☺☺☺☺ Dette apparatet er egnet til lagring av mat ved -18 °C eller lavere og kan fryse større kvanta med fersk mat.

Oppbevaringssoner i kjøleskapet

- Som følge av naturlig luftsirkulasjon i apparatet, er det ulike temperatursoner i kjøleskapet.
- Det kaldeste området er rett over grønnsaksskuffene. Bruk dette området til alle lett bederavelige matvarer, f.eks.
 - Fisk, kjøtt, fjærkre
 - Pølseprodukter, ferdigretter
 - Retter eller bakervarer som inneholder egg eller fløte
 - Fersk deig, kakeblandinger
 - Ferdigblandede grønnsaker eller annen ferdigmat med merking som angir det bør oppbevares ved en temperatur på rundt 4°C.
- Det varmeste området er øverst i døren. Her kan du oppbevare smør og ost.

Mat som ikke skal oppbevares i kjøleskap

- Ikke all mat skal oppbevares i kjøleskap, og dette gjelder særlig:
 - Frukt og grønnsaker som er sensitive overfor kulde, slik som bananer, avokado, papaya, pasjonsfrukt, auberginer, paprika, tomater og agurk.
 - Umoden frukt

Rengjør aldri plastdeler ved hjelp av løsningsmidler eller sterke skuremidler (for eksempel vaskepulver eller -krem)! Bruk kun mild såle og ren klut. Ikke bruk svamp.

Avising av kjøleskap***

- Det dannes rim på bakveggen i kjøleskapet. Den fjernes automatisk. Under avising kan kondensen som inneholder forurensete stoffer tette åpningen. Dersom det skulle skje, kan du forsiktig fjerne smusset ved hjelp av en metalltråd (fig. 13).
- Apparatet opererer i sykluser: det kjøler (da dannes det rim på bakveggen) og aviser (vann renner ned på bakveggen)



Koble apparatet fra strømmettet før rengjøring ved å trekke støpselet ut av kontakten eller koble ut sikringen. Unngå at vann trenger inn i kontrollpanelet eller lyset.

- Ikke bruk aerosoler ved avising. De kan føre til dannelse av en eksplosiv blanding eller inneholde løsningsmidler som kan skade plastkomponenter i apparatet og også være skadelig for helsen.
- Sørg for at vannet som brukes til rensing ikke renner inn i fordampningsbeholderen gjennom utløpsåpningen.
- Hele apparatet, bortsett fra dørtetningen skal rengjøres med mildt såpevann. Tetningen skal vaskes med vann og tørkes.
- Vask alt tilbehøret (grønnsaksskuffer, dørhyller, glasshyller, osv.).

Avise fryseren**

- Det anbefales å avise apparatet samtidig som det rengjøres.
- For mye is reduserer apparatets fryseevne og øker energiforbruket.
- Apparatet bør avises minst en eller to ganger per år. Dersom det danner seg mer is, må du avise oftere.
- Dersom det er mat i fryseren, bør du stille knappen på maks i rundt fire timer før planlagt avising. Dette vil gjøre at maten kan oppbevares i romtemperatur i lengre tid.
- Etter at du har tatt mat ut av fryseren, legger du den i en beholder og pakker den inn i flere lag med papir før du dekker den med et teppe og oppbevarer den på et kjølig sted.
- Avisingen bør vare så kort som mulig. Mat som oppbevares lenge i romtemperatur har kortere holdbarhet.

For å avise frysedelen, må du følge disse trinnene:**

- Skru av apparatet ved hjelp av kontrollpanelet, og trekk støpselet ut av kontakten.
- Åpne døren og ta maten ut av fryseren.
- Avhengig av modell, trekker du ut avløpsslengen som befinner seg i bunnen av fryseren og plasser et passende kar under.
- La døren stå åpen; dette vil påskynde prosessen. I tillegg kan du sette en bolle med varmt vann (ikke kokende) inni fryseren.
- Vask innsiden av fryseren og tørk den godt.
- Skru på apparatet i henhold til det relevante punktet i bruksanvisningen.

Automatisk avising av kjøleskap****

Kjøleskapet avises automatisk. Likevel kan det dannes rim på bakveggen i kjøleskapet. Dette skjer vanligvis dersom det lagres store mengder fersk mat i kjøleskapet.

Automatisk avising av fryseren****

Fryseren avises automatisk. Maten fryses i den avkjølte sirkulasjonsluften, og fuktigheten fra fryserommet ledes ut. Dermed dannes det ikke is eller rim i fryseren, og produktene fryser ikke sammen.

Kjøleskap og fryser må vaskes manuelt****

Det anbefales å vaske kjøleskap og fryser minst en gang i året. Dette hindrer bakteriedannelse og vondt lukt. Skru av apparatet ved å bruke knapp (1), ta ut matvarene og vask med mildt såpevann. Tørk deretter med en tørr klut.

Ta ut hyllene og sett dem inn ****

Skyv hyllen ut, og skyv den deretter inn så mye som mulig slik at klemmen kan festes i hakket (fig. 15).

Ta ut og sett inn dørhyllen ****

Løft dørhyllen, fjern den og sett den tilbake ovenfra og inn i ønsket posisjon (fig. 16).



Du må aldri sette et varmeapparat, vifte eller hårtørker i fryseren.

- ** Gjelder apparater med fryser Gjelder ikke apparater med automatisk avising.
- *** Gjelder apparater med fryser Gjelder ikke apparater med automatisk avising.
- **** Gjelder apparater med automatisk avising.
- ***** Gjelder ikke for frysebokser

Problem	Mulig årsak	Løsning
Apparatet virker ikke	Elektrisiteten er brutt	- kontroller om støpselet sitter godt i kontakten - kontroller om strømkabelen er skadet - kontroller om det er strøm i kontakten ved å koble til et annet apparat, f.eks. en lampe - kontroller om apparatet er skrudd på ved å sette termostaten på en innstilling over 0
Det innvendige lyset virker ikke	Lyspæren er løs eller slukket (gjelder kun apparater med lyspære)	- skru lyspæren ordentlig i eller skift den ut (se over «Skifte lyspære»)
Temperaturen i apparatet er for lav eller for høy	Feil innstilling på justeringsknappen	- velg et høyre tall
	Omgivelsestemperaturen er høyere eller lavere enn klimaområde fra tabellen med tekniske spesifikasjoner	- apparatet er tilpasset drift i klimaområde fra tabellen med tekniske spesifikasjoner.
	Apparatet befinner seg i sollys eller nær en varmekilde	- flytt apparatet til et annet sted. Les retningslinjene i bruksanvisningen
	For mye varm mat lagt inn på en gang	- vent 72 timer til maten er kald (frossen) og den nødvendige temperaturen er nådd i fryseren
	Intern luftsirkulasjon blokkert	- plasser mat og beholdere på en slik måte at de ikke kommer i kontakt med bakveggen i kjøleskapet
	Luftsirkulasjonen bak i kjøleskapet er blokkert	- flytt apparatet min. 30 mm bort fra veggen
	Døren til kjøleskapet/fryseren har blitt åpnet for ofte og/eller holdes åpen for lenge	- reduser antall ganger du åpner døren og/eller reduser tiden du holder døren oppe
	Døren lukker ikke slik den skal	- plasser mat og beholdere slik at de ikke ligger i veien for døren som skal lukkes
	Kompressoren slår seg ikke på ofte nok	- kontroller om omgivelsestemperaturen er lavere enn klimaklassen
Det er en feil med tetningen i døren	- trykk tetningen på plass	
Apparatet arbeider kontinuerlig	Feil innstilling på justeringsknappen	- velg et lavere tall
	Se. «Den innvendige temperaturen i apparatet er ikke lav nok for beskrivelse av andre mulige årsaker	Se. «Den innvendige temperaturen i apparatet er ikke lav nok for beskrivelse av andre mulige løsninger
Det samler seg vann nede i apparatet	Vannutløpsåpning er tett (avhengig av modell)	- Rengjør vannutløpsåpningen (se bruksanvisningen – «Avising av kjøleskapet»)
	Den interne luftsirkulasjonen blokkeres	- plasser mat og beholdere på en slik måte at de ikke kommer i kontakt med bakveggen i kjøleskapet
Apparatet genererer en unaturlig lyd	Apparatet står ikke i vater	- sørg for at apparatet står rett
	Apparatet er i berøring med møbler og/eller andre objekter	- plasser apparatet slik at det står fritt

NO

Enkelte lyder kan høres under normal bruk av apparatet, men dette påvirker ikke korrekt drift.

Lyder som enkelt kan forebygges:

- lyd som skyldes av apparatet ikke står i vater – juster bena på undersiden. Alternativt kan du legge et mykt materiale under bakhjulene, spesielt dersom apparatet står på fliser.
- berører tilstøtende møbler – flytt på kjøleskapet slik at det står fritt.
- knirking i skuffer eller hyller - ta ut og sette tilbake skuff eller hylle.
- lyd av flasker som skumper borti hverandre – flytt flaskene fra hverandre.

Lyd som høres under normal bruk skyldes vanligvis drift av termostaten, kompressoren (som slår seg på) og kjølesystemet (termisk ekspansjon og sammentrekning av radiatoren på grunn av flyten av kjølemiddel).

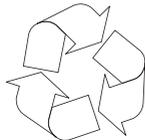
**Ozonlagbestyttelse**

Kjøle- og skummidler består av 100 % FCKW og FKW er blitt brukt i produksjonen av produktet. Derfor bidrar vi til å beskytte ozonlaget og forebygge drivhuseffekten. I tillegg bidrar den innovative teknikken og den miljøvennlige isolasjonen til

å redusere energiforbruket.

Resirkulere emballasjen

Emballasjen vår er laget av miljøvennlige materialer som kan gjenvinnes:



- Ytteremballasjen består av av papp/folie
- Polystyrendeler (PS) som ikke inneholder FCKW
- Polyetylen (PE)-folier og poser

**AVHENDING AV APPARAT OG UTSTYR**

Dersom produktet ikke lenger skal brukes, må du kutte kabelen før det avhendes. Fjern også låsen på produktet eller sørg for at den ikke kan brukes, slik at produktet ikke utgjør en farge for barn så lenge det oppbevares før avhending.

Dette produktet er merket med et utkrysset søppelbøttesymbol i samsvar med det europeiske direktivet 2002/96/EC.

Dette symbolet betyr at produktet ikke skal kastes sammen med vanlig husholdningsavfall når det ikke lenger er i bruk. Brukeren er forpliktet til å avhende produktet på en miljøstasjon. Lokale avfallsplasser, innleveringssteder, butikker og kommunale gjenvinningsstasjoner er egnede steder for innlevering og deponering av produktet.

Håndtering av elektrisk og elektronisk utstyr på riktig måte bidrar til å unngå skadelige konsekvenser for menneskers helse og miljøet. Slike skader kan forårsakes av farlige stoffer og uriktig lagring og behandling av slikt utstyr.

KLIMAOMRÅDE

Informasjonen om klimaområdet til apparatet angis på typeplaten. Det angir hvilken omgivelsestemperatur (dvs. romtemperatur som apparatet kan brukes i) som er optimal (riktig).

Klimaområde	Tillatt omgivelsestemperatur
SN	fra +10 °C til +32 °C
N	fra +16 °C til +32 °C
ST	fra +16 °C til +38 °C
T	fra +16 °C til +43 °C

Garanti

Garantiservice som angitt på garantikortet

Produsenten holdes ikke ansvarlig for skader som skyldes ukorrekt bruk.

Produsenterklæring

Produsenten erklærer herved at produktet oppfyller kravene i følgende europeiske direktiver:

- **Lavspenningsdirektiv 2014/35/EØF**
- **Direktiv for elektromagnetisk kompatibilitet (EMC) 2014/30/EC**
- **ErP Directive 2009/125/EC**
- **RoHS Directive 2011/65/EC**

og er derfor merket med  symbolet og har fått utstedt en samsvarserklæring som er gjort tilgjengelig for marknadsregulatorene.

KIITOS, ETTÄ OSTIT GRAM-LAITTEEN

HYVÄ ASIAKAS!

Laitteesi on poikkeuksellisen helppo käyttää ja hyvin tehokas. Valmistaja on testannut laitteen turvallisuuden ja toiminnan perusteellisesti ennen sen pakkaamista ja lähettämistä.

Lue nämä käyttöohjeet huolellisesti ennen laitteen käyttöä.

F



Tämän käyttöoppaan kuvat on tarkoitettu vain ohjeellisiksi. Laitteen täydellinen osakuvaus on vastaavassa kohdassa.



Laite on tarkoitettu vain talouskäyttöön.

Valmistaja varaa itselleen oikeuden tehdä muutoksia, jotka eivät vaikuta laitteen käyttöön.



Jotkin tämän käyttöoppaan säännöt ovat yhteiset erityyppisille jäädytystuotteille (jääkaappi, jääkaappi-pakastin tai pakastin).

Valmistaja ei vastaa vahingosta, joka seuraa tämän käyttöoppaan ohjeiden noudattamatta jättämisestä.

Säilytä tämä käyttöopas myöhempää käyttöä varten tai seuraavalle käyttäjälle annettavaksi.

Tätä laitetta ei ole tarkoitettu sellaisten henkilöiden käyttöön, joiden fyysiset tai henkiset kyvyt ovat rajalliset (lapset mukaan lukien) tai joilla ei ole kokemusta laitteesta tai jotka eivät tunne sitä

Älä anna lasten käyttää laitetta. Älä anna heidän leikkiä laitteella. Lapset eivät saa kiivetä laatikoihin tai roikkua ovissa.

Laite toimii oikein oikeassa ympäristön lämpötilassa (ks. tuoteseloste). Älä käytä sitä kellarissa eikä lämmitämättömässä kesämökissä syksyllä ja talvella.

Kun laitetta sijoitetaan, siirretään ja nostetaan, älä pidä kiinni ovien kahvoista, älä vedä jääkaapin takana olevasta lauhduttimesta äläkä kosketa kompressoriyksikköä.

Kun jääkaappipakastinta kuljetetaan, siirretään tai sijoitetaan, älä kallista sitä enempää kuin 40° pystyasennosta. Jos niin kuitenkin tehdään, on odotettava vähintään 2 tuntia laitteen oikeaan asentoon laittamisesta, ennen kuin laite laitetaan päälle (kuva 2).

Irrota pistoke pistorasiasta ennen ylläpitotoimia. Älä vedä johdosta, vaan pidä kiinni pistokkeesta.

”Halkeileva” ääni, joka laitteesta voi kuulua osien laajenemisen ja supistumisen takia, johtuu lämpötilavaihteluista.

Älä korjaa laitetta itse turvallisuussyistä. Laitteen käyttäjä voi joutua vakavaan vaaraan, jos korjauksia tekevällä henkilöillä ei ole vaadittua pätevyyttä.

Tuuleta muutaman minuutin ajan huonetta, johon laite sijoitetaan (isobutaania/R600a:ta tuottavan tuotteen huoneen koon on oltava vähintään 4 m³), jotta jäädytysjärjestelmä ei vaurioidu.

Älä pakasta osittain sulaneita tuotteita uudelleen.

Älä säilytä pakastimessa pulloja ja metallipurkkeja eikä etenkään hiilihappoisia juomia. Metallipurkit ja pullo saattavat räjähtää.

Älä aseta jäädytetyjä tuotteita, jotka on otettu suoraan pakastimesta (jääpuikkoja, jääkuutioita yms.) heti suuhun. Niiden alhainen lämpötila voi aiheuttaa vakavan paleltuman.

Varmista, ettet vaurioita jäädytysjärjestelmää puhkaisemalla haihduttimen jäädytysaineputkia tai katkaisemalla putkia. Jäädytysaine on syttyvää. Jos jäädytysainetta joutuu kosketuksiin silmien kanssa, huuhtelee silmät puhtaalla vedellä ja käänny heti lääkärin puoleen. Jos virtajohto katkeaa, se on korvattava uudella asian tuntijan korjausliikkeessä.

Tämä laite on tarkoitettu ruoan säilytykseen. Älä käytä sitä muihin tarkoituksiin.

Kun teet toimintoja, kuten puhdistusta, ylläpitoa tai siirtoa, laite on irrotettava kokonaan virtalähteestä (irrottamalla pistoke pistorasiasta).

Laitetta voivat käyttää vähintään 8-vuotiaat lapset tai henkilöt, joiden fyysiset, henkiset tai aisteihin liittyvät kyvyt ovat alentuneet, tai ne, joilla ei ole kokemusta laitteesta tai jotka eivät tunne sitä, mikäli tämä tapahtuu heidän turvallisuudestaan vastaavien henkilöiden valvonnassa tai näiden heille antaman ohjauksen mukaisesti ja mikäli he tuntevat laitteen käyttöön liittyvät riskit. Varmista, etteivät lapset leiki laitteella. Lapset eivät saa tehdä laitteen puhdistusta ja ylläpitoa, elleivät he ole vähintään 8 vuotta ja pätevän henkilön valvonnassa.

Voit lisätä tilaa pakastimessa poistamalla laatikot ja asettamalla ruoan suoraan hyllyille. Tällä ei ole vaikutusta tuotteen mekaanisiin ominaisuuksiin eikä jäähdystystehoon. Ilmoitettu pakastinkapasiteetti on laskettu ilman laatikoita.

Asennus ennen laitteen ensimmäistä käyttöä

- Ota tuote pois pakkauksesta sekä poista ovea ja laitetta suojaava teippi. Mahdolliset liimatahrat voidaan poistaa miedolla pesuaineella.
- Älä heitä pois pakkauksen styroksiosia. Jos jääkaappiakastin on kuljetettava, pakkaa se styroksiosiin ja suojaa teipillä.
- Puhdista jääkaappiakastimen sisäpinta ja laitteen osat pesuaineella, joka on liuennut haalean veteen, ja pyyhi kuivaksi.
- Aseta jääkaappiakastin tasaiselle ja vakaalle pinnalle kuivaan, tuuletettuun ja varjoisaan huoneeseen kauas lämmönlähteistä, kuten uunista, liedestä, keskuslämmityspattereista, keskuslämmityspotkista, kuumavesiasennuksesta jne.
- Tuotteen ulkopinnalla voi olla suojakalvo, joka on poistettava.
- Varmista, että laite on suorassa ruuvamallalla kiinni 2 säädettävää etujalkaa (kuva 3)
- Varmista, että ovi avautuu esteettä. Laitteen sivun (oven saranapuolella) ja seinän välinen etäisyys näkyy kuvasta 5.*
- Varmista huoneen riittävä tuuletus ja ilmankierto laitteen kaikilla puolilla (kuva 6).*

Vähimmäisetäisyydet lämmönlähteistä

- sähkö ja kaasuuuneista ja muista uuneista - 30 mm
- öljy- tai hiillämmitteisistä uuneista - 300 mm
- sisäänrakennetuista uuneista - 50 mm

Jos näitä etäisyyksiä ei voida varmistaa, käytä sopivaa eristyslevyä.

- Jääkaapin takaseinä ja erityisesti lauhdutin ja muut jäähdytysjärjestelmän osat eivät saa koskettaa muita elementtejä, jotka voivat vaurioittaa niitä (esim. keskuslämmitysjärjestelmän putkia ja vesiputkia).
- Yksikön minkään osan uudelleensäätö tai muokkaaminen on kiellettyä. On olennaisen tärkeää, ettei kompressorin syvennyksessä näkyvä kapillaariputki vaurioidu. Putkea ei saa taivuttaa, suoritaa eikä kiertää.
- Jos käyttäjä vaurioittaa kapillaariputkea, takuu mitätöityy (kuva 8).
- Jossakin malleissa kahva on laitteessa. Ruuvaa se omalla ruuviavaimellasi.

Kytkeminen verkkovirtaan

- Ennen kytkemistä on suositeltava asettaa lämpötilan säätönuppi OFF-asentoon tai muuhun asentoon, joka katkaisee laitteen virran (ks. säädön kuvausta).
- Laite on kytkettävä 220 - 240 V 50 Hz -pistorasiaan. Pistorasian on oltava kiinnitetty kunnolla, ja siinä on oltava maadoitusjohto ja 10 A:n sulake.
- Laki vaatii, että laitteen on oltava oikein maadoitettu. Valmistajaa ei voida asettaa vastuuseen vauriosta tai tapaturmasta, joka voi koitua tämän vaatimuksen täyttämättä jättämisestä.
- Älä käytä sovittimia, monella pistorasialla varustettuja jatkojohtoja tai kahden johdon jatkojohtoja. Jos on käytettävä jatkojohtoa, siinä on oltava maadoituspiikki ja yksi pistorasia, ja sillä on oltava VDE/ GS-turvallisuussertifikaatti.
- Jos käytetään jatkojohtoa (jossa on maadoituspiikki ja jolla on turvallisuussertifikaatti), sen pistorasian on sijaittava turvallisella etäisyydellä pesualtaista eikä se saa olla paikassa, johon voi tulla vettä tai jätettä.
- Katso yksityiskohtaiset tekniset tiedot laitteen sisäseinän alaosasta**.

Irrottaminen verkkovirrasta

- Varmista, että laite voidaan helposti irrottaa verkkovirrasta joko vetämällä pistoke pois pistorasiasta tai kääntämällä kaksinapainen kytkin pois päältä.

* Vain itsenäisesti seisovat laitteet

** Mallin mukaan

Ohjauspaneeli (kuva 10).

1. Lampun kansi
2. Lämpötilanuppi (termostaatti)

Lämpötilan säätö

Nupin kääntäminen eri asetukseen muuttaa jääkaappipakastimen lämpötilan.

Nupin käytettävissä olevat asetukset

- laite kytketty pois päältä - OFF/0-asetus
- enimmäislämpötila - 1-asetus
- ihanteellinen lämpötila - 2-6-asetus (2-4)*
- vähimmäislämpötila - 7-asetus (5)*



Älä laita elintarvikkeita jääkaappipakastimeen, ennen kuin se on saavuttanut sen toimintalämpötilan, mikä vie vähintään 4 tuntia.

Lämpötila jääkaapissa/pakastimessa

Älä muuta lämpötila-asetuksia vuodenajan vaihtumisen takia. Anturi havaitsee ympäristön lämpötilan nousun, ja kompressorin kytkeytyy päälle automaattisesti pitemmäksi aikaa pitämään yllä laitteiden sisälämpötilaa.

Pienet muutokset lämpötilassa

Vähäiset muutokset lämpötilassa ovat täysin normaaleja, ja niitä voi ilmetä esimerkiksi silloin, kun suurta määrää tuoreita tuotteita säilytetään jääkaapissa tai kun ovea pidetään auki pitempään. Tämä ei vaikuta säilytettävien elintarvikkeiden tilaan, ja lämpötila palaa nopeasti asetetuksi.

* Mallin mukaan

Lampun vaihtaminen*

- Aseta nuppi OFF-asentoon ja irrota laite pistorasiasta.
- Poista lampun kansi.
- Vaihda lamppu uuteen, jolla on samat parametrit kuin tehtaan laitteeseen asentamalla lampulla (E14-kanta, 220 - 240 V, enint. 10 W, enimmäismitat: halkaisija 26 mm, pituus 55 mm).
- Laita lampun kansi takaisin paikalleen.

Lamppuja, joiden teho on suurempi tai pienempi, ei pidä käyttää. Käytä vain edellä annettujen tietojen mukaisia lamppeja.

Lamppua ei pidä käyttää huoneen valaisemiseen.

* Sovellettavissa laitteisiin, joihin tehdas suunnitteli hehkulamppuväläistuksen, ja valittuihin laitteisiin, joissa on LED-valaistus E14-kantaisen lampun muodossa.

Elintarvikkeiden säilytys jääkaappipakastimessa

Varmista elintarvikkeiden pysyminen tuoreina noudattamalla seuraavia suosituksia.

- Tuotteet on sijoitettava lautasille, astioihin tai pakattava elintarvikkekääreisiin. Jaa ne tasaisesti hyllyille.
- Jos elintarvikkeet ovat kosketuksissa takaseinään, ne voivat huurtua tai kastua.
- Älä laita jääkaappiin kuumia aterioidia.
- Tuotteet, jotka imevät hajua helposti, kuten voi, maito ja valkoinen juusto, sekä tuotteet, joissa on voimakas haju, kuten kala, savustettu liha ja kova juusto, on asetettava hyllyille pakattuina elintarvikkekääreisiin tai tiiviisti suljettuihin astioihin.
- Merkittäviä määriä vettä sisältävien vihannesten säilyttäminen aiheuttaa kosteuden tiivistymistä vihannessäiliöihin. Tämä ei vaikuta jääkaapin oikeaan toimintaan.
- Kuivaa vihannekset hyvin ennen niiden laittamista jääkaappiin.
- Liiallinen kosteus lyhentää vihannesten ja etenkin lehtimäisten vihannesten säilytysikää.
- Älä pese vihanneksia ennen niiden säilyttämistä jääkaapissa. Peseminen poistaa luonnollisen suojan. Siksi vihannekset on parempi pestä juuri ennen käyttöä.
- On suositeltavaa asettaa tuotteet pakastimen laatikoihin 1, 2, 3* enintään luonnollisen täyttökapasiteetin mukaan (kuva 11a/11b).**

1. Pakatut tuotteet
2. Hylly
3. Luonnollinen täyttökapasiteetti
4. ❄️❄️❄️

- Tuotteiden pinoaminen pakastimen hyllyille on hyväksyttävää.*
- On hyväksyttävää ylittää tuotteiden luonnollinen täyttökapasiteetti 20 - 30 millimetrillä.**
- Laatikot 1 ja 2 voidaan poistaa pakastimen täyttökapasiteetin lisäämiseksi ja jotta tuotteita voidaan pinota pakastimen lauhduttimen lankahyllyjen päälle.*

Ruonan pakastaminen**

- Käytännössä kaikki ruokatuotteet paitsi raakana syötävät vihannekset, kuten lehtisalaatti, voidaan pakastaa.
- Pakasta vain korkealaatuisimpia ruokatuotteita jaettuina pieniin annoksiin yhtä käyttökertaa varten.
- Tuotteet on pakattava hajuttomiin, ilmatiiviisiin ja kosteutta läpäisemättömiin materiaaleihin, jotka eivät ole alttiita rasvalle. Muovipussit sekä polyeteeni- ja alumiiniarkit ovat parhaita kääremateriaaleja.
- Pakkauksen on oltava tiiviisti elintarvikkeiden ympärillä. Älä käytä lasiastioita.
- Pidä tuoreet ja huoneenlämpöiset ruoka-aineet erillään tuotteista, jotka on jo pakastettu.
- Suosittelemme, ettet aseta liikaa elintarvikkeita

kerrallaan pakastimeen päivää kohti (ks. taulukko, jossa annetaan tekniset tiedot).

- Pakastetun ruoan ihanteellisen laadun ylläpitämiseksi järjestä pakastimen keskellä oleva ruoka niin, että se ei kosketa tuotteita, jotka eivät ole vielä pakastuneet.
- On suositeltavaa, että siirrä jo pakastetut tuotteet yhdelle puolelle ja sijoitat tuoreet pakastettavat tuotteet vastapäiselle puolelle mahdollisimman lähelle taka- ja sivuseiniä.
- Käytä tuotteiden pakastukseen tilaa, jossa on merkintä ❄️❄️❄️
- **Muista, että pakastimen lämpötilaan vaikuttavat useat tekijät, kuten ympäristön lämpötila, sisällä olevien ruokatuotteiden laatu, oven avaamistiheys, pakastimen huurteen määrä ja termostaattiasetus.**
- **Jos et voi avata pakastimen ovea heti sen sulkemisen jälkeen, odota 1 - 2 minuuttia alipaineen kompensoitumista ja yritä sitten avata ovi uudelleen.**

Pakastettujen tuotteiden säilytysaika riippuu niiden laadusta tuoreena ennen pakastusta ja säilytyslämpötilasta. Seuraavat säilytyskaudet ovat suositeltavia, kun ylläpidettävä lämpötila on -18 °C tai alhaisempi:

Tuotteet	Kuukautta
Naudanliha	6 - 8
Vasikka	3 - 6
Eläimenosat	1 - 2
Sianliha	3 - 6
Siipikarja	6 - 8
Kanamunat	3 - 6
Kala	3 - 6
Vihannekset	10 - 12
Hedelmät	10 - 12

Älä säilytä pakastettua ruokaa nopeasti jäädyttävässä osastossa. Jääpaloja voidaan valmistaa ja säilyttää tässä osastossa.***

* Sovellettavissa laitteisiin, joiden pakastinosasto on laitteen alaosassa.

** Sovellettavissa laitteisiin, joissa on pakastinosasto ❄️❄️❄️

*** Ei sovellettavissa laitteisiin, joiden pakastinosastossa on merkintä ❄️❄️❄️

JÄÄKAAPIN TEHOKAS KÄYTTÖ

Käytännön vinkkejä

- Älä sijoita jääkaappeja tai pakastimia lämpöpatereiden, lämmittimien tai uunien lähelle tai suoraan auringonvaloon.
- Varmista, että tuuletusaukot eivät ole peitossa ja että puhdistat niistä pölyn kerran tai kahdesti vuodessa.
- Valitse oikea lämpötila: 6 - 8 °C jääkaapille ja -18 °C pakastimelle on riittävä.
- Aseta jääkaappiin korkeampi lämpötila, kun lähdet lomalle.
- Avaa jääkaappi tai pakastin vain silloin, kun se on tarpeellista. Auttaa jos tiedät, mitä ruokaa kumpikin sisältää ja missä se on. Palauta elintarvikkeitä jääkaappiin tai pakastimeen heti käytön jälkeen, jotta se ei lämpene liikaa.
- Pyyhi jääkaapin sisäpuoli säännöllisesti liinalla, jota on liotettu miedossa pesuaineessa. Laitteet, joissa ei ole automaattista sulatusta, edellyttävät säännöllistä sulatusta. Älä anna huurrekerroksen kasvaa yli 10 mm:n paksuiseksi.
- Pidä ovea ympäröivä tiiviste puhtaana, muuten ovi ei sulkeudu kunnolla. Korvaa aina rikkoutunut tiiviste.

Tähtien selitys

- ☉ Lämpötila on vähintään -6 °C; riittävä pakastetun ruoan säilyttämiseen viikon ajan. Yhdellä tähdellä merkityt laatikot tai osastot olivat (yleensä) halvempien jääkaappien ominaisuus.
- ☉☉ Ruokaa voidaan säilyttää -12 °C:ssa tai kylmemmässä 1 - 2 viikkoa sen menettämättä makuaan. Ei sopiva ruoan pakastamiseen.
- ☉☉☉ Tätä merkintää käytetään lähinnä elintarvikkeiden säilyttämisestä -18 °C:n lämpötilassa tai kylmemmässä. Voidaan myös käyttää enintään 1 kg painavan tuoreen elintarvikkeen pakastamiseen.
- ☉☉☉☉ Tämä laite on sopiva elintarvikkeiden säilyttämiseen 18 °C:n lämpötilassa tai kylmemmässä ja tuoreiden elintarvikkeiden suurten määrien pakastamiseen.

Jääkaapin säilytysalueet

- Laitteen luonnollisen ilmankierron takia jääkaapissa on erilaisia lämpötila-alueita
- Kylmin alue on heti vihanneslaatikoiden yläpuolella. Käytä tätä aluetta herkkien ja helposti pilaantuvien elintarvikkeiden säilyttämiseen. Esimerkiksi:
 - Kala, siipikarja
 - Makkaratuotteet, einekset
 - Ateriat ja leivonnaiset, jotka sisältävät kananmunia tai kermaa
 - Tuore taikina, kakkusekoitukset
 - Espakatut vihannekset ja muut tuoreet elintarvikkeet, joissa on merkintä, että ne on säilytettävä n. 4 °C:n lämpötilassa.
- Lämpimin alue on oven yläosassa. Käytä sitä voin ja juuston säilyttämiseen.

Elintarvikkeet, joita ei pidä säilyttää jääkaapissa

- Kaikki elintarvikkeet eivät ole sopivia säilytettäväksi jääkaapissa. Niitä ovat erityisesti seuraavat:
 - Hedelmät ja vihannekset, jotka ovat herkkiä kylmälle, kuten banaanit, avokadot, papaijat, passionhedelmät, munakoisot, paprikat, tomaatit ja kurkut.
 - Hedelmät, jotka eivät ole vielä kypsiä

Älä koskaan puhdistaa tuotteen ulkopintaa tai muoviosia liuottimilla tai voimakkailla hankaavilla puhdistusaineilla (esim. pesu jauheilla tai -voiteilla)! Käytä mietoja nestemäisiä puhdistusaineita ja vain pehmeää liinaa. Älä käytä sieniiä.

Jääkaapin sulatus**

- Huurretta kertyy jääkaapin takaseinään. Se poistuu automaattisesti. Sulatuksen aikana lauhde, joka sisältää epäpuhtauksia, voi tukkia aukon. Jos niin käy, avaa aukko varovasti puhdistustulppalla tai metallilangalla (kuva 13).
- Laite toimii sykleissä. Se jäähdyyttää (jolloin huurretta tulee takaseinään) ja sulattaa (vesi virtaa alas pitkin takaseinää).



Kytke laite pois verkkovirrasta ennen puhdistusta irrottamalla pistoke pistorasiasta tai kytkemällä sulake pois päältä. Estä veden tunkeutuminen ohjauspaneeliin tai lampuun.

- Älä käytä sulatusaerosoleja. Ne voivat aiheuttaa räjähtävän sekoituksen muodostumisen tai sisältää liuotteita, jotka saattavat vaurioittaa laitteen muoviosia ja jopa olla haitallisia terveydelle.
- Varmista, että puhdistukseen käytettävä vesi ei virtaa haihdutinsäiliöön poistoaukon kautta.
- Koko laite oven tiivistettä lukuun ottamatta on puhdistettava miedolla puhdistusaineella. Oven tiiviste on puhdistettava vedellä ja pyyhittävä kuivaksi.
- Pese kaikki lisävarusteet (vihannessäiliöt, ovi-hyllyt, lasihyllyt jne.).

Pakastimen sulatus**

- Laitteen sulatus on suositeltavaa yhdistää sen pesuun.
- Jään liiallinen kertyminen pakastusalueille heikentää laitteen pakastuskapasiteettia ja lisää energiankulutusta.
- Sulata laite vähintään kerran tai kaksi vuodessa. Jos jäätä muodostuu enemmän, sulatus on tehtävä useammin.
- Jos pakastimessa on elintarvikkeita, aseta nuppi enimmäisasentoon noin 4 tuntia ennen suunniteltua sulatusta. Tämä mahdollistaa elintarvikkeiden säilyttämisen ympäristön lämpötilassa pitempään.
- Kun otat elintarvikkeet pois pakastimesta, laita ne säiliöön, kääri niiden ympärille useita kerroksia paperia tai huopa ja säilytä niitä viileässä paikassa.
- Sulatuksen on kestettävä mahdollisimman vähän aikaa. Elintarvikkeiden pitkä säilytys ympäristön lämpötilassa lyhentää niiden säilytyksen kestävyyttä.

Voit sulattaa pakastimen seuraavasti:**

- Kytke laite pois päältä ohjauspaneelistä ja irrota pistoke pistorasiasta.
- Avaa ovi ja poista elintarvikkeet pakastimesta.
- Vedä (mallin mukaan) esiin poistoletku, joka on pakastinosaston alaosassa, ja aseta sopiva astia sen alle.
- Jätä ovi auki. Se nopeuttaa sulamista. Pakastimeen voidaan asettaa myös astia, jossa on kuumaa (ei kiehuva) vettä.
- Pese pakastimen sisäpuoli ja pyyhi kuivaksi.
- Kytke laite päälle käyttöoppaan kyseisen kohdan mukaan.

Jääkaapin automaattinen sulatus***

Jääkaappi on varustettu automaattisella sulatustoiminnolla. Huurretta voi silti kerääntyä jääkaapin takaseinään. Näin käy usein, kun suuria määriä tuoreita elintarvikkeita säilytetään jääkaapissa.

Pakastimen automaattinen sulatus****

Pakastimen on varustettu automaattisella sulatustoiminnolla (no-frost). Elintarvikkeet pakastuvat jäähdyytyessä ilmavirrassa, ja pakastimen kosteus poistuu ulkopuolelle. Tämän ansiosta pakastimeen ei muodostu jäätä ja huurretta eivätkä tuotteet jäädy kiinni toisiinsa.

Jääkaapin ja pakastimen pesu****

On suositeltavaa pestä jääkaappi ja pakastin vähintään kerran vuodessa. Tämä estää bakteerien ja pahan hajun muodostumisen. Kytke laite pois päältä painikkeella (1), poista elintarvikkeet sekä pese sisäpuoli vedellä ja miedolla pesuaineella. Pyyhi sitten sisäpuoli kuivaksi liinalla.

Hyllyjen irrottaminen ja takaisin laittaminen

Liu'uta hylly ulos ja liu'uta sitä sitten sisään mahdollisimman paljon, jotta puristin sopii ohjausuraan (kuva 15).

Oviyhyllyn irrottaminen ja takaisin laittaminen

Nosta oviyhyllyä, irrota se ja laita se takaisin ylhäältä sen vaadittuun asentoon (kuva 16).



Älä missään tapauksessa laita pakastimeen sähkölämmittintä, lämpöpuhallinta tai hiusten kuivaajaa.

** Sovellettavissa laitteisiin, joissa on pakastinosasto. ❄️ ❄️ ❄️ Ei sovellettavissa laitteisiin, joissa on huurtumaton järjestelmä.

*** Sovellettavissa laitteisiin, joissa on jääkaappiosasto. Ei sovellettavissa laitteisiin, joissa on huurtumaton järjestelmä.

**** Sovellettavissa laitteisiin, joissa on huurtumaton järjestelmä.

***** Ei koske arkkupakastimia

VIANMÄÄRITYS

Ongelma	Mahdollinen syy	Ratkaisu
Laite ei toimi	Virtapiirissä on häiriö	- Tarkista, onko pistoke kunnolla pistorasiassa - Tarkista, ettei laitteen verkkojohto ole vaurioitunut - Tarkista, onko pistorasiassa jännitettä, liittämällä siihen jokin muu laite, esimerkiksi yölamppu - Tarkista, onko laite kytketty päälle, asettamalla termostaatti asentoon, joka on suurempi kuin 0.
Kammion valo ei toimi	Lamppu on löystynyt tai palanut (vain laitteet, joissa on hehkulamppuvaiistus)	- Kiinnitä lamppu oikein tai vaihda se (ks. edeltä kohta Lampun vaihtaminen)
Lämpötila laitteen sisällä ei ole tarpeeksi alhainen tai on liian korkea	Säätönupin virheellinen asetus	- Aseta nuppi suurempaan asetukseen
	Ympäristön lämpötila on suurempi tai pienempi kuin ilmastoalue, joka on teknisten tietojen taulukossa	- Laite on mukautettu toimimaan teknisten tietojen taulukon ilmoittamalla ilmastoalueella
	Laite on auringon valaisemassa paikassa tai lämmönlähteiden lähellä	- Siirrä laite toiseen paikkaan. Noudata käyttöoppaan ohjeita
	Liikaa lämpimiä elintarvikkeita on laitettu laitteeseen kerralla	- Odota 72 tuntia, kunnes ruoka jäähtyy (pakastuu) ja vaadittava lämpötila saavutetaan
	Sisäisen ilmankierroksen estyminen	- Aseta elintarvikkeet ja astiat niin, etteivät ne kosketa jääkaapin takaseinää
	Ilmankierrossa laitteen takana on este	- Siirrä laite vähintään 30 mm:n etäisyyteen seinästä
	Jääkaapin/pakastimen ovi avataan liian usein ja/tai jää auki liian pitkäksi aikaa	- Vähennä oven avaamistiheyttä ja/tai lyhennä oven aukioloaikaa
	Ovi ei sulkeudu kunnolla.	- Aseta elintarvikkeet ja astiat niin, että ne eivät estä oven sulkemista.
Kompressorin käy liian harvoin.	- Tarkista, ettei ympäristön lämpötila ole alhaisempi kuin ilmastointiluokassa.	
Oven tiiviste ei ole kunnolla paikallaan	- Paina tiiviste sisään	
Laite toimii jatkuvasti	Säätönupin virheellinen asetus	- Aseta nuppi pienempään asetukseen
	Ks. muita mahdollisia selityksiä kohdasta Lämpötila laitteen sisällä ei ole tarpeeksi alhainen	Ks. muita mahdollisia ratkaisuja kohdasta Lämpötila laitteen sisällä ei ole tarpeeksi alhainen
Vesi kerääntyy laitteen alaosaan	Veden poistoaukko on tukossa (mallin mukaan)	- Puhdista poistoaukko (ks. kohta Jääkaapin sulatus)
	Sisäisen ilmankierroksen häiriö	- Aseta elintarvikkeet ja astiat niin, että ne eivät kosketa jääkaapin takaseinää
Laite pitää epätavallista ääntä	Laite ei ole suorassa	- Aseta laite suoraan
	Laite koskettaa huonekalua ja/tai muita esineitä	- Aseta laite paikkaan, jossa sen ympärillä on riittävästi tyhjää tilaa

Jääkaapin normaalin käytön aikana voidaan kuulla tiettyjä ääniä, jotka eivät vaikuta sen oikeaan toimintaan

Äänet, jotka voidaan helposti estää:

- Vinossa olevan laitteen ääni - säädä asento säädettävillä etujaloilla. Aseta vaihtoehtoisesti pehmeää materiaalia olevia paloja takapöydien alle etenkin, jos laite on laattojen päällä.
- Koskettaa viereistä huonekalua - siirrä jääkaappi kauemmas.
- Laatikoiden tai hyllyjen kirskunaa - ota laatikko tai hylly pois ja laita takaisin.
- Kalisevien pullojen ääni - siirrä pulloit erilleen.

Äänet, joita kuullaan normaalin käytön aikana johtuvat pääasiassa termostaatin toiminnasta, kompressorista (päälle kytketyssä) ja jäähdytysjärjestelmästä (jäähdytysaineen virtauksen aiheuttama lämpölaajeneminen ja supistuminen).

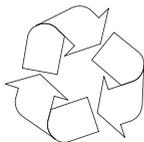


Otsonikerroksen suojele



Tämän tuotteen valmistuksessa on käytetty jäähdytys- ja vaahdotusaineita, jotka ovat 100-prosenttisesti kloorivety-yhdisteistä (FCKW ja FKW) vapaita. Autamme niin suojelemaan otsonikerrosta ja estämään kasvihuonevaikutuksia. Innovatiivinen teknologiamme ja ympäristöystävällinen eristyksemme auttavat myös vähentämään energiankulutusta.

Pakkauksen kierrätys



Pakkauksemme tehdään ympäristöystävällisistä materiaaleista, jotka voidaan käyttää uudelleen:

- Ulkopakkaus on tehty pahvista/fooliosta
- Kloorifluorivety-yhdisteistä vapaa vaahdotettu polystyreeni
- Polyeteenikalvot ja -pussit



LAITTEEN HÄVITTÄMINEN

Jos laitetta ei enää käytetä, leikkaa laitteen liitäntäkaapeli pois ennen laitteen hävittämistä. Poista myös laitteen lukko tai tee siitä toimimaton, jotta laite ei muodosta vaaraa lapsille, kun sitä säilytetään hävittämistä varten.



Tämä laite on merkitty ylivedetyllä jätesäiliöllä direktiivin 2002/96/EY mukaisesti. Tällainen merkintä kertoo, että laitetta ei pidä laittaa yhteen muun talousjätteen kanssa laitteen käytön päätyttyä. Käyttäjällä on velvollisuus toimittaa hävitettävä laite jätteenkeräyspisteeseen. Paikalliset jätteenkeräyspisteet, kaupat ja kunnalliset yksiköt ovat tämän laitteen hävittämiseen sopiva järjestelmä.

Sähkö- ja elektroniikkalaitteiden oikea käsittely estää ihmisen terveydelle ja luonnolle vaarallisia seuraamuksia, jotka johtuvat vaarallisten aineiden läsnäolosta sekä niitä sisältävien laitteen virheellisestä säilytyksestä ja käsittelystä.

ILMASTOALUE

Tiedot laitteen ilmastoalueesta on nimellistehokilvessä. Ne kertovat, missä ympäristön lämpötilassa (eli huonelämpötilassa, jossa laite toimii) laitteen käyttö on optimaalista (oikeaa).

Ilmastoalue	Sallittu ympäristön lämpötila
SN	+10 °C ... +32 °C
N	+16 °C ... +32 °C
ST	+16 °C ... +38 °C
T	+16 °C ... +43 °C

Takuu

Takuuhuolto takuukortin mukaisesti

Valmistajaa ei voida asettaa vastuuseen mistään tämän tuotteen virheellisestä käytöstä aiheutuneesta vauriosta.

Valmistajan vakuutus

Valmistaja vakuuttaa, että tämä tuote vastaa seuraavien eurooppalaisten direktiivien vaatimuksia:

- **Pienjännitedirektiivi 2014/35/EY**
- **Sähkömagneettista yhdenmukaisuutta koskeva direktiivi 2014/30/EY**
- **Ecodesign-direktiivi 2009/125/EY**
- **Direktiivi RoHS 2011/65/EY**

sekä siinä on siten  -merkintä ja siitä on tehty vaatimustenmukaisuusvakuutus markkinoita säänteleville viranomaisille.

ITEMS OF EQUIPMENT

EN

1	Shelf
2	Glass shelf
3	Thermostat
4	Shelf over the vegetable container
5	Vegetable container
6	Large door shelf
7	Large door shelf
8	Ice cube tray
9	Egg tray

KØLESKABSUDSTYR

1	Hylde
2	Glashylde
3	Betjeningspanel
4	Hylde over grøntsagsskuffe
5	Grøntsagsskuffe
6	Stor dørhylde
7	Stor dørhylde
8	Bakke til isterninger
9	Æggebakke

DA

TILLBEHÖR

1	Hylla
2	Glashylla
3	Kontrollpanel
4	Glashylla ovanför grönsakslåda
5	Grönsakslåda
6	Stor dörrhylla
7	Stor dörrhylla
8	Isbricka
9	Äggbricka

UTSTYRSDELER

1	Hylle
2	Glasshyll
3	Kontrollpanel
4	Hylle over grønnsaksskuff
5	Grønnsaksskuff
6	Stor dørhylle
7	Stor dørhylle
8	Ice cube tray Isbitbrett
9	Eggbrett

NO

LAITTEEN OSAT

1	Hylly
2	Lasihylly
3	Termostaatti
4	Vihannessäiliön päällä oleva hylly
5	Vihannessäiliö
6	Oven suuri hylly
7	Oven suuri hylly
8	Jääpalalokerikko
9	Kananmunateline

NO:
Gram A/S
Tel.: 22 07 26 30
www.gram.no

SE:
Gram A/S
Tel.: 040 38 08 40
www.gram.se

FI
Gram A/S
Tel.: 020 7756 350
www.gram.fi

GRAM

Gram A/S
Gejlhavegård 2B
DK-6000 Kolding
+45 73 20 10 00
www.gram.dk